

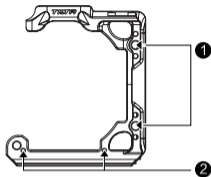
SONY A1

TILTA

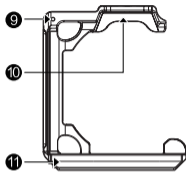
索尼A1摄影机拓展套件-半笼

FOR SONY A1

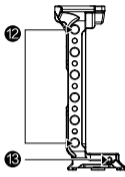
01 认识半笼



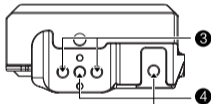
<正面>



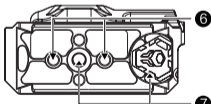
<背面>



<右侧臂>



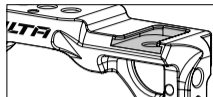
<顶部>



<底部>

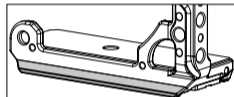
- ① 1/4定位螺纹孔
[可安装导管适配器接口]
- ② M3安装孔
[可安装镜头转接环支撑]
- ③ 1/4螺纹孔
[可接滑条扩展等辅助配件]
- ④ 1/4定位螺纹孔
[可接短口上手提]
- ⑤ 冷靴接口
[可接麦克风/灯光/图传/监视器支架等配件]
- ⑥ 1/4螺纹孔
[可安装快装板等配件]
- ⑦ 机身固定孔(底部)
- ⑧ 一字螺丝扳手
[可磁吸附于底部的拆卸工具,同时可用硬币替换]
- ⑨ 机身耳孔固定孔
- ⑩ 保护胶垫
- ⑪ 38MM标准阿卡接口
[可直接装在RS 2云台上]
- ⑫ 1/4定位螺纹孔
[可接手柄/滑条等辅助配件]
- ⑬ M3安装孔
[可安装线卡等配件]

半笼细节展示 >>



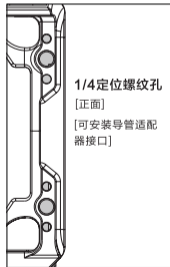
冷靴 [顶部]

[可直接装麦克风/灯光/图传/监视器支架/手机支架等配件]



38MM标准阿卡接口 [底部]

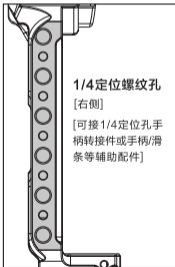
[可直接装在RS 2云台上或脚架上等]



1/4定位螺纹孔

[正面]

[可安装导管适配器接口]



1/4定位螺纹孔

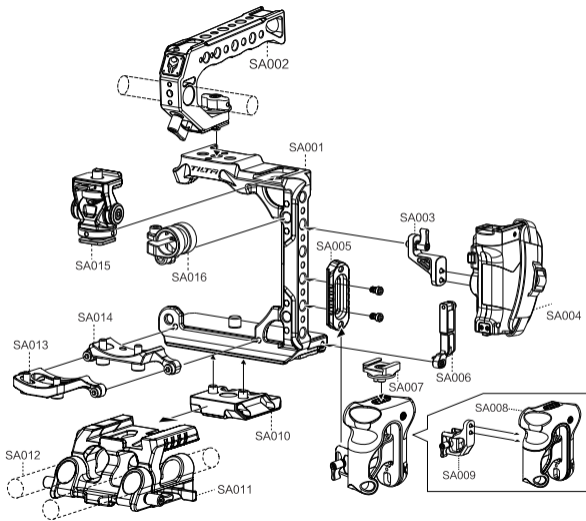
[右侧]

[可接1/4定位孔手柄转接件或手柄/滑条等辅助配件]

02 FOR SONY A1

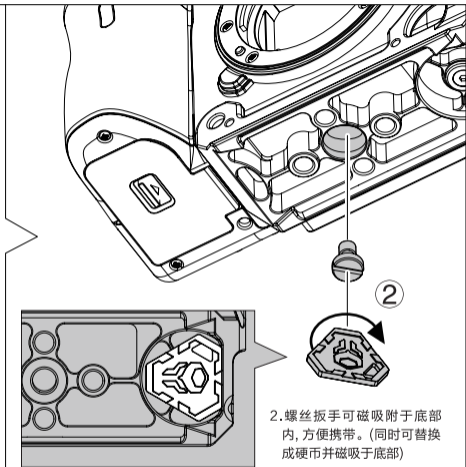
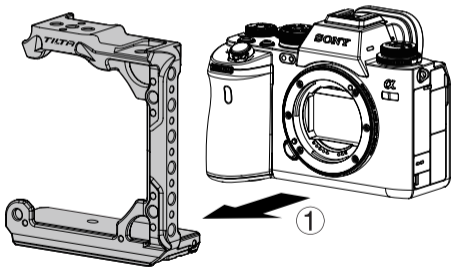
套件分解说明

编号	产品名称	产品型号
SA001	索尼A1半笼	TA-T23-HCC
SA002	TILTAING上手提	TA-QRTH-B
SA003	1/4定位孔手柄转接件	TA-AHA7-LR-B
SA004	录制手柄-左	TA-LRH-57-B
SA005	Nato滑条长款36mm	TA-NRA-36-B
SA006	半笼HDMI线夹	TA-T23-CC2
SA007	冷靴母座	TA-CSR
SA008	木质手柄	TA-LWH-B
SA009	手柄NATO延长件-左(右)	TA-AHA6-L(R)-B
SA010	半笼曼富圈底板	TA-T23-018
SA011	15mm标准底座型4	TA-BSP4-15-B
SA012	15*200mm导轨	R15-200-B
SA013	EF-E转接环支撑	TA-T22-LAS
SA014	PL-E转接环支撑	TA-T22-LAS2
SA015	监视器云台支架	TA-AMB-B
SA016	侧臂单孔卡件	TA-SRA-15-B



03 安装半笼

1. 将摄影机装入①A1半笼，再取出笼子底部的②一字扳手，将螺丝锁进笼子底部的安装孔完成装配。

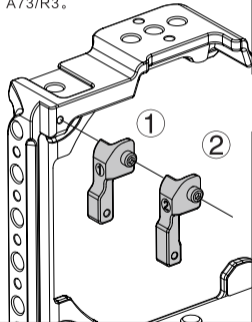


2. 螺丝扳手可磁吸附于底部内，方便携带。(同时可替换成硬币并磁吸于底部)

04 安装机身耳孔固定件

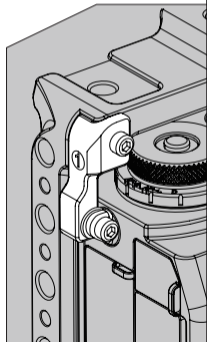
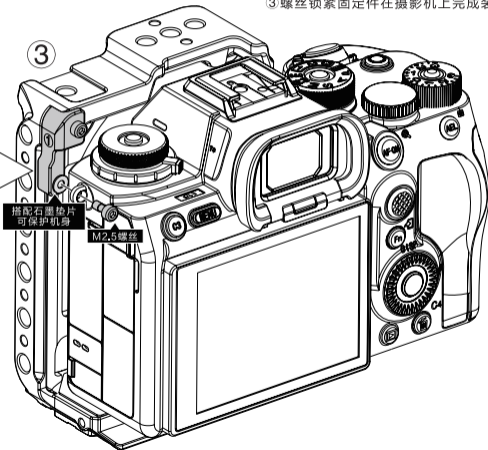
①B1号机身耳孔固定配件：兼容索尼A1/A7S3/R4。

②B2号机身耳孔固定配件：兼容索尼A73/R3。



1. 标配两个机身耳孔固定件(B1和B2), 可上下调节, 适配多种机型。

2. 需先无损拆卸原装摄影机上的三角挂环, 再通过螺丝将①B1或②B2耳孔固定件锁紧在笼子背面的耳机固定孔上, 其次通过③螺丝锁紧固定件在摄影机上完成装配。

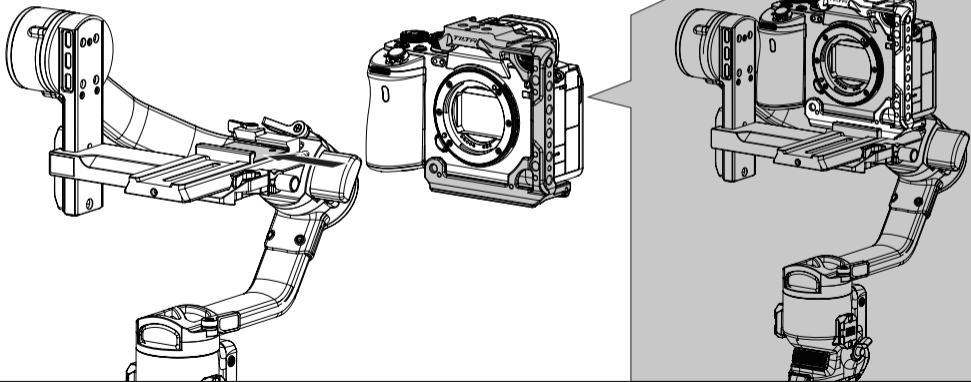


<装配组合图>

05 轻松装配于如影系列云台上

▶ 阿卡燕尾滑条

笼子底部设有阿卡燕尾滑条，可轻松快速安装上稳定器/脚架等。



06 安装通用上手提



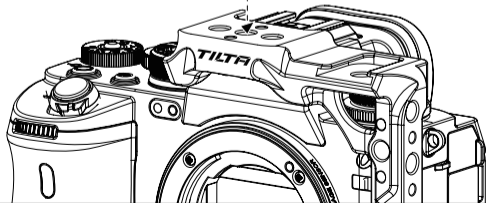
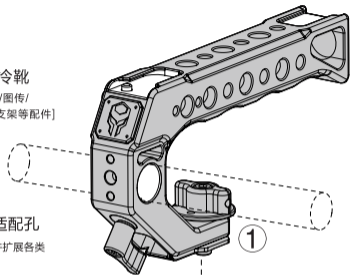
手提前后双冷靴

[可接麦克风/灯光/图传/
监视器支架/手机支架等配件]

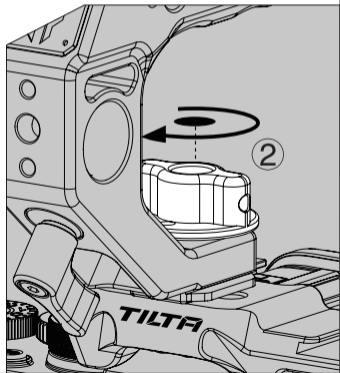


15mm导轨适配孔

[可装载EVF支架并扩展各类
支撑附件]

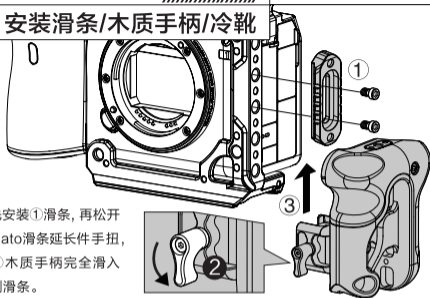


将①上手提对应装入笼子顶部的1/4定位孔中，并转动②旋钮锁紧螺丝完成装配。

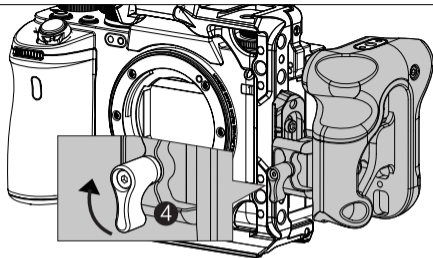


07 安装滑条/木质手柄/冷靴

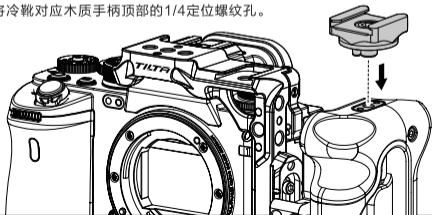
1. 先安装①滑条，再松开②Nato滑条延长件手扭，将③木质手柄完全滑入右侧滑条。



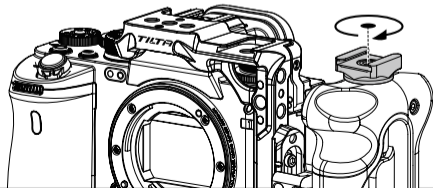
2. 滑入后拧紧④手扭即可完成装配。



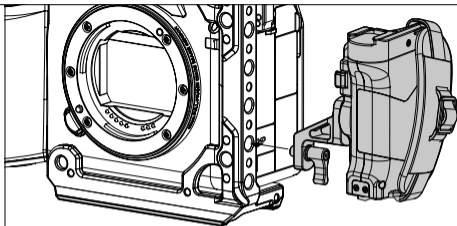
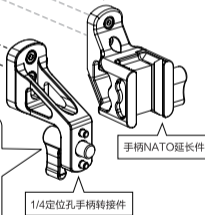
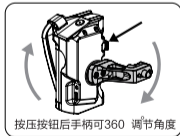
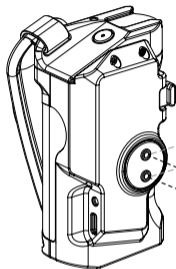
3. 将冷靴对应木质手柄顶部的1/4定位螺纹孔。



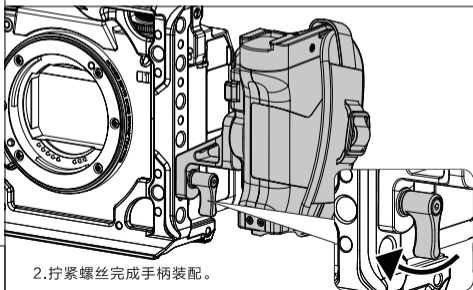
4. 对应后拧紧螺丝即可完成装配。



08 安装手柄/手柄转接件



1. 装配完1/4定位孔手柄转接件后将手柄对准侧面的1/4定位孔上。

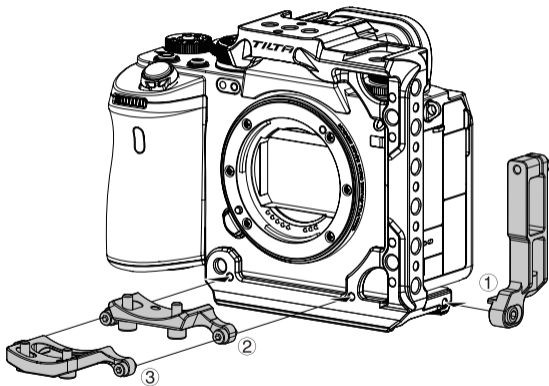


2. 拧紧螺丝完成手柄装配。



录制手柄是稳定type-c 8V、DC OUT 12V常规输出接口，外接设备请按照设备额定电压操作,如因不规范操作造成设备损坏，自行承担。

09 安装镜头支撑/HDMI线夹

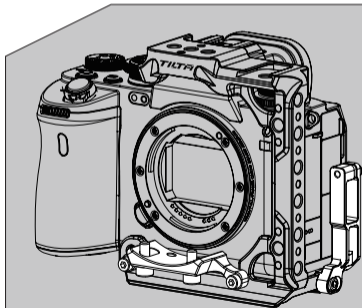


1. 安装①HDMI线夹。

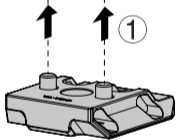
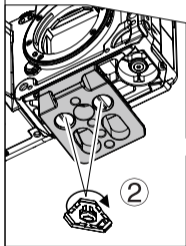
将HDMI线夹对应笼子右侧上M3螺纹孔，对应后拧紧螺丝完成装配。

2. 安装②EF-E转接环支撑或③PL-E转接环支撑。

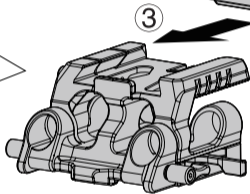
将镜头转接环支撑对应笼子正面的M3螺纹孔，对应后拧紧螺丝完成装配。



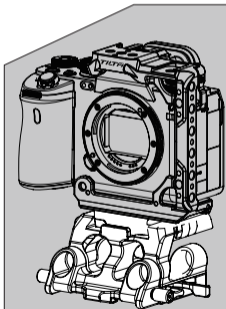
10 安装快装板和底座



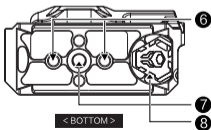
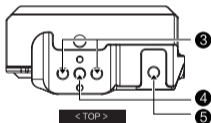
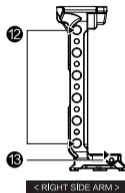
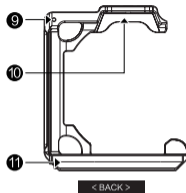
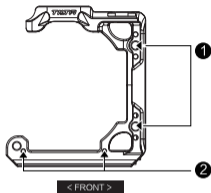
1. 将①半笼曼富图底板对应底部的1/4螺丝孔并拧紧②螺丝完成装配。



3. 安装③15mm标准底座。将底座完全滑入滑板中，待安全销弹起锁紧开关。

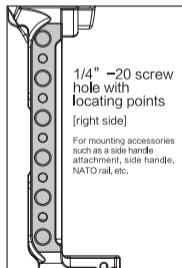
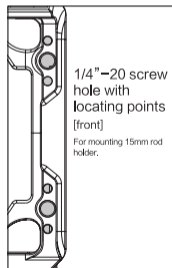
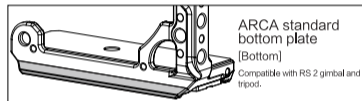


装配组合图



- ① 1/4" -20 screw holes with locating points
[for mounting 15mm rod holder.]
- ② M3 screw hole
[for mounting lens adapter support.]
- ③ 1/4" -20 screw hole
[for mounting NATO rail.]
- ④ 1/4" -20 screw holes with locating points
[for mounting Tilting quick release top handle.]
- ⑤ Cold shoe mount
[for mounting monitor bracket, on-board microphone, wireless video unit, additional light, etc.]
- ⑥ 1/4" -20 screw hole
[for mounting quick release plate.]
- ⑦ Camera cage screw hole (bottom)
- ⑧ Magnetic flat head screwdriver
[can be stored on the bottom of the camera cage. Coin can be used as a replacement.]
- ⑨ Locating pin hole
- ⑩ Protective cushion
- ⑪ ARCA standard plate
[compatible with RS 2 gimbal.]
- ⑫ 1/4" -20 screw holes with locating points
[for mounting a side handle, NATO rail, etc.]
- ⑬ M3 screw hole
[for mounting cable damp attachment, etc.]

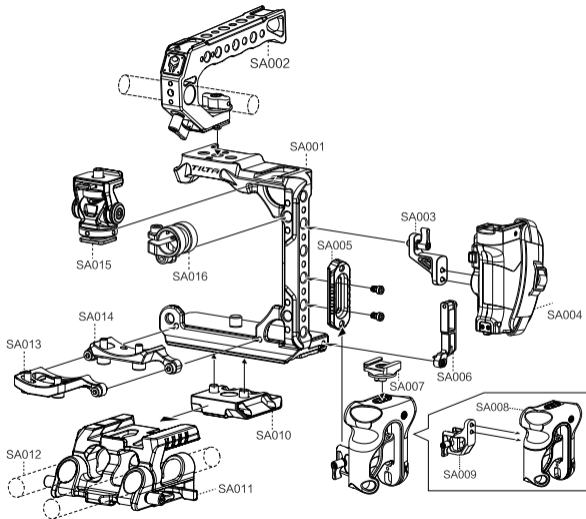
DETAILS >>



12 FOR SONY A1

OVERVIEW

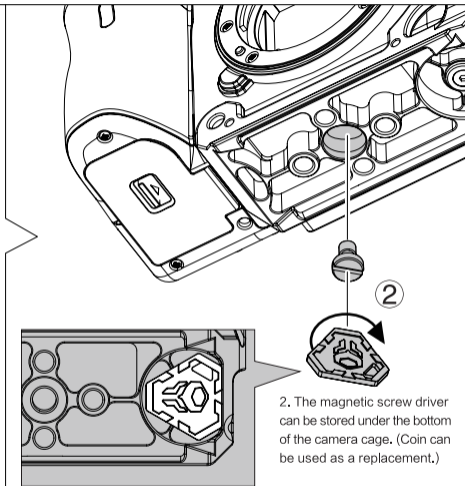
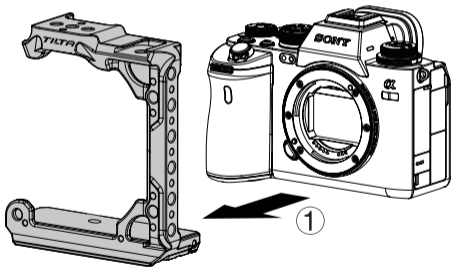
NO.	PRODUCT NAME	SKU
SA001	Half Camera Cage for Sony A1	TA-T23-HCC
SA002	Tilting Quick Release Handle	TA-QRTH-B
SA003	Tilting Advanced Side Handle Attachment Type VII	TA-AHA7-LR-B
SA004	Tilting Left Side Advanced Power Handle with Run/Stop (F570 Battery)	TA-LRH-57-B
SA005	Tilting 36mm NATO Rail Attachment	TA-NRA-36-B
SA006	HDMI Clamp Attachment for Sony A1 Half Cage	TA-T23-CC2
SA007	Tilting Cold Shoe Receiver Attachment	TA-CSR
SA008	Tilting Left Side Wooden Handle	TA-LWH-B
SA009	Tilting Advanced Left Side Handle Attachment Type VI	TA-AHA6-L(R)-B
SA010	Manfrotto Quick Release Plate	TA-T23-018
SA011	Tilting 15mm LWS Baseplate Type VI	TA-BSP4-15-B
SA012	Aluminum Rod 15*200mm	R15-200-B
SA013	EF Mount Lens Adapter Support for Sony a1	TA-T22-LAS
SA014	PL Mount Lens Adapter Support for Sony a1	TA-T22-LAS2
SA015	Tilting Adjustable Cold Shoe Accessory Mounting Bracket	TA-AMB-B
SA016	Tilting 15mm Side Single Rod Holder	TA-SRA-15-B



13

INSTALLING THE HALF CAMERA CAGE

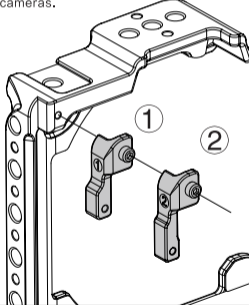
1. Place the camera into the ① half camera cage. Take out the ② flat head screw driver from the bottom of the cage. Tighten the tie down screw on the bottom of the cage.



14

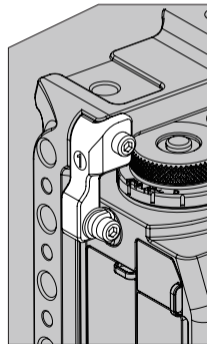
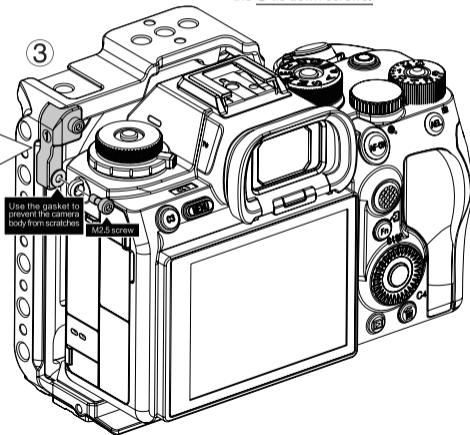
INSTALLING SECURITY MOUNTING ATTACHMENT

- ① B1 security mounting attachment is compatible with Sony A1/A7S3/R4 cameras.
- ② B2 security mounting attachment is compatible with Sony A73/R3 cameras.



1. The kit includes two security mounting attachments, B1 and B2. It can be adjusted up and down to be compatible with different camera models.

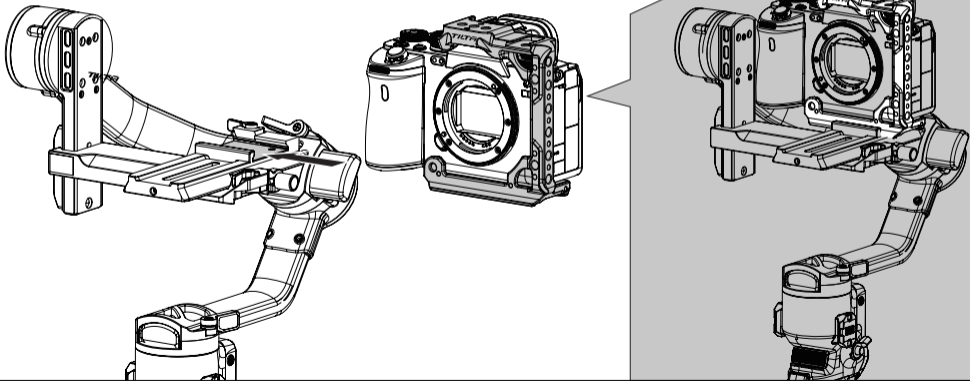
- 2. Uninstall the original triangle strap ring on the camera. Align the ① B1 security mounting attachment or ② B2 security mounting attachment to the security mounting hole on the back of the camera cage. Tighten the ③ tie down screws.



< ASSEMBLY >

► ARCA Quick Release Plate

The camera cage has built-in ARCA quick release plate on the bottom. Supports quick and easy mounting on a gimbal or tripod.



16

INSTALLING THE QUICK RELEASE TOP HANDLE



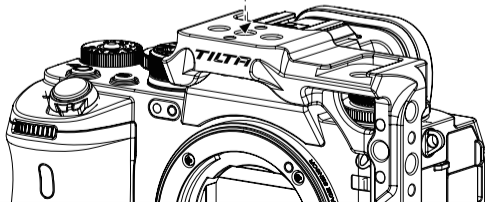
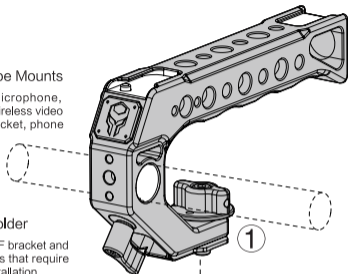
Dual Cold Shoe Mounts

For mounting microphone, additional light, wireless video unit, monitor bracket, phone bracket, etc.

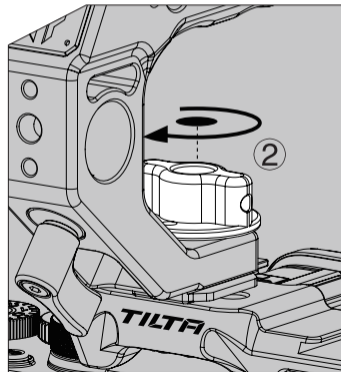


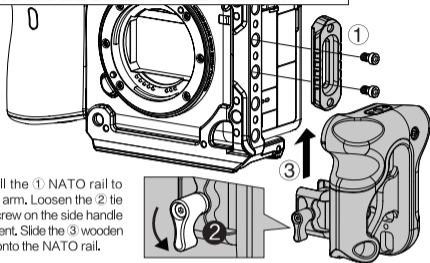
15mm Rod Holder

For mounting EVF bracket and other accessories that require 15mm rod for installation.

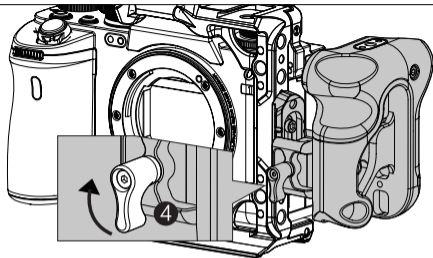


Align the tie down screw on ① the top handle with the 1/4" -20 locating point on top of the camera cage. Tighten the ② tie down screw.



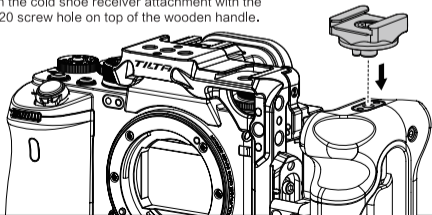
17**INSTALLING NATO RAIL / WOODEN
HANDLE/COLD SHOE MOUNT**

1. Install the ① NATO rail to the side arm. Loosen the ② tie down screw on the side handle attachment. Slide the ③ wooden handle onto the NATO rail.

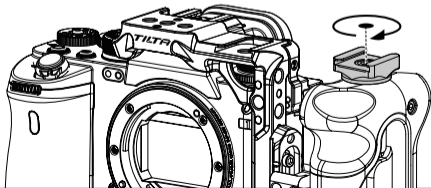


2. Tighten the ④ tie down screw to complete the installation.

3. Align the cold shoe receiver attachment with the 1/4" -20 screw hole on top of the wooden handle.

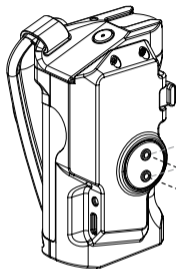


4. Tighten the tie down screw.

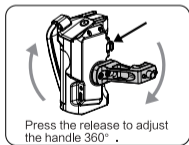


18

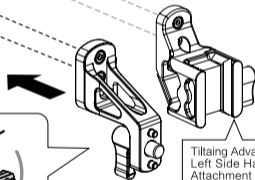
INSTALLING SIDE HANDLE & SIDE HANDLE ATTACHMENT



Press the release to adjust the handle 360° .

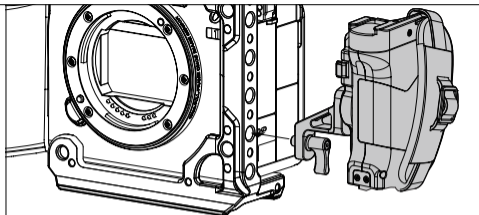


Press the release to adjust the handle 360° .

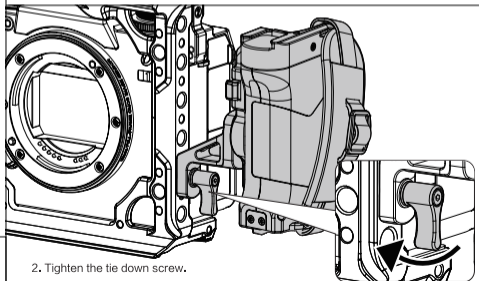


Tilting Advanced Left Side Handle Attachment Type VI

Tilting Advanced Side Handle Attachment Type VII



1. Install the Advanced Side Handle Attachment Type VII to the side handle. Then mount the side handle to the 1/4" -20 screw hole with locating point on the side arm.



2. Tighten the tie down screw.



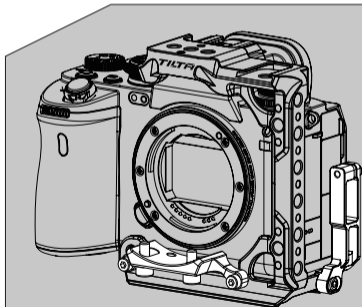
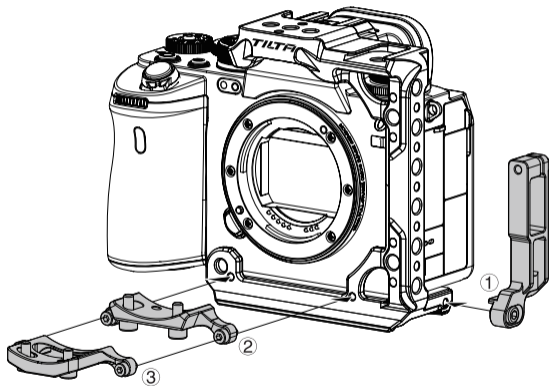
The focus handle has USB-C 8V and DC 12V outputs. Please check and connect your equipment accordingly. Tilta is not responsible for any user errors.

19

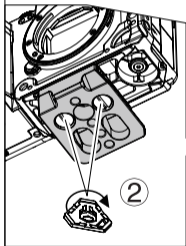
INSTALLING LENS SUPPORT & HDMI CLAMP ATTACHMENT

1. Install ① HDMI clamp attachment. Align the HDMI clamp attachment with the M3 screw holes on the right side. Tighten the tie down screw.

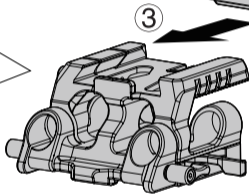
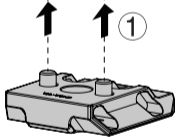
2. Install ② EF mount lens adapter support or ③ PL mount lens adapter support. Align the lens adapter support with the M3 screw holes on the front of the camera cage. Tighten the tie down screws.



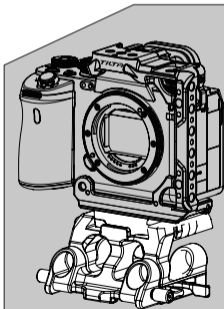
20 INSTALLING QUICK RELEASE PLATE & BASEPLATE



1. Align **1** Manfrotto quick release plate with the 1/4" -20 screw holes on the bottom of the camera cage. Tighten the **2** tie down screws.



3. Install the **3** 15mm LWS baseplate. Slide the baseplate onto the bottom plate until the safety toggle pops up, then rotate the locking toggle to secure the camera to the baseplate.



< DEMONSTRATION >