

# 95MM VARIABLE ND

## TILTA FOR TILTA MIRAGE

ND调节齿轮 / ND Adjustment Wheel

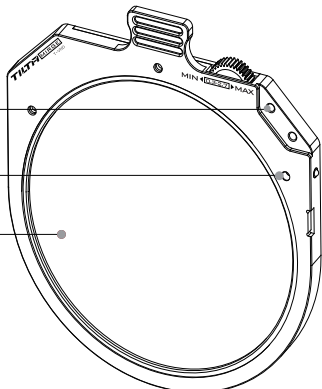
[可手动或电控操作调节ND值]

[ For manual or electronic ND adjustment control ]

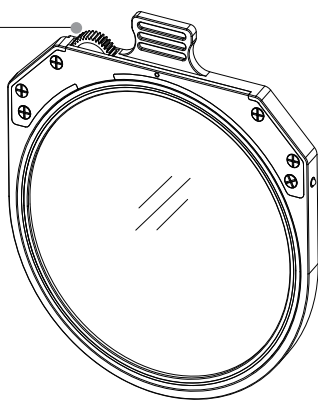
M3螺纹孔  
[ M3 screw hole ]

M3螺纹孔  
[ M3 screw hole ]

双层滤镜片  
[ 95mm Variable ND ]

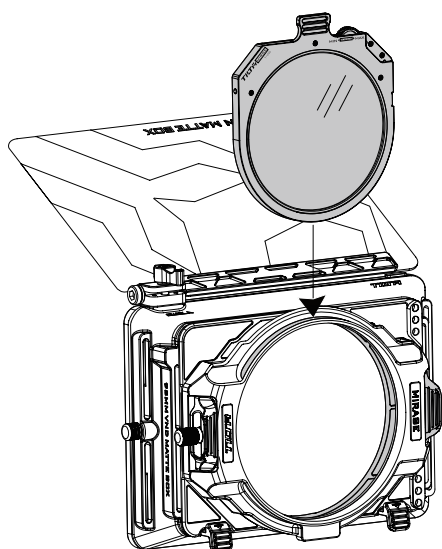


[ 正面 / FRONT ]



[ 背面 / BACK ]

### 安装95mm可变ND滤镜组 / INSTALLING THE 95MM VARIABLE ND FOR TILTA MIRAGE



(1) 插入95mm可变ND滤镜组。

需要取出95mm可变ND滤镜组时，将安全卡扣拨开，即可取出。

Inserting the 95mm variable ND filter tray.

When taking out the 95mm variable ND filter tray, pull the locking toggle to release the filter tray, then remove it from the matte box.

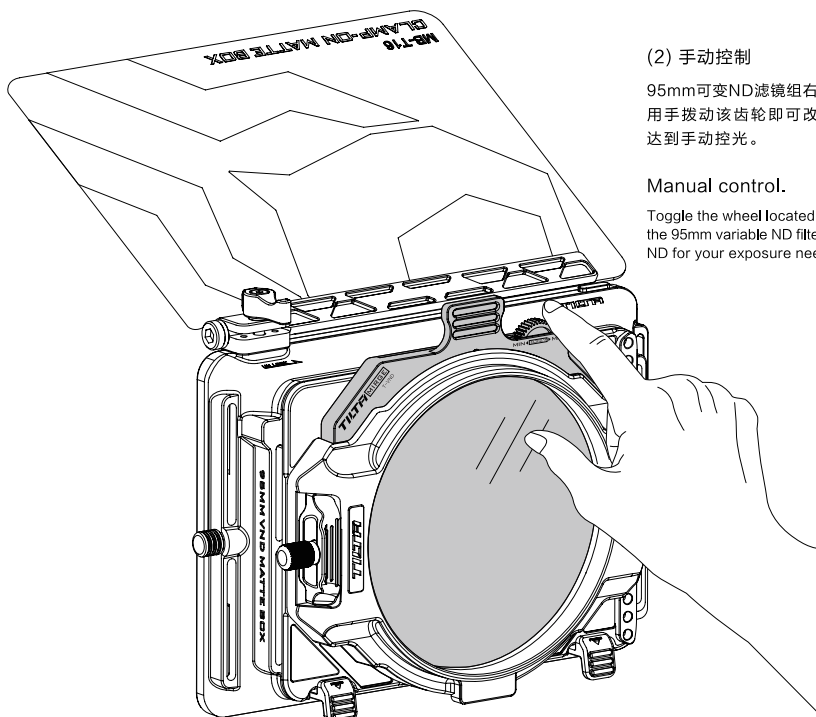
[装配注意/NOTES]:

A: 95mm可变ND滤镜组插入斗身时，需以产品[正面]为准，避免滤镜组造成损坏。

a: When inserting the 95mm variable ND filter tray, please make sure to align the front of the filter tray to avoid any damage to the product.

B: 取出95mm可变ND滤镜组后，需安装回95mm圆形滤镜框。

b: After taking out the 95mm variable ND filter tray, please insert the 95mm circular filter tray.



(2) 手动控制

95mm可变ND滤镜组右上方有一个齿轮，用手拨动该齿轮即可改变ND的变量以达到手动控光。

Manual control.

Toggle the wheel located on the top right of the 95mm variable ND filter tray to adjust the ND for your exposure needs.