

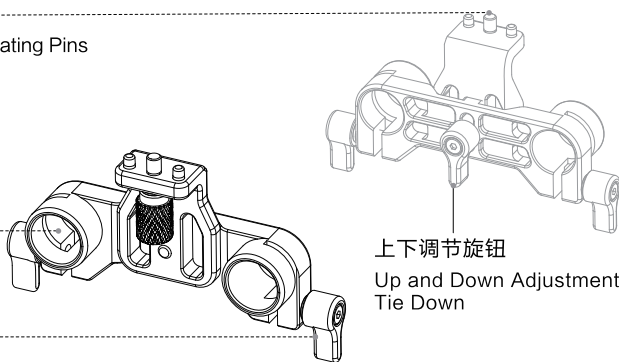
15MM LWS SUPPORT

TILTA FOR TILTA MIRAGE

1/4"定位螺丝
1/4" -20 Screw with Locating Pins

15mm导轨适配孔
15mm Rod Holder

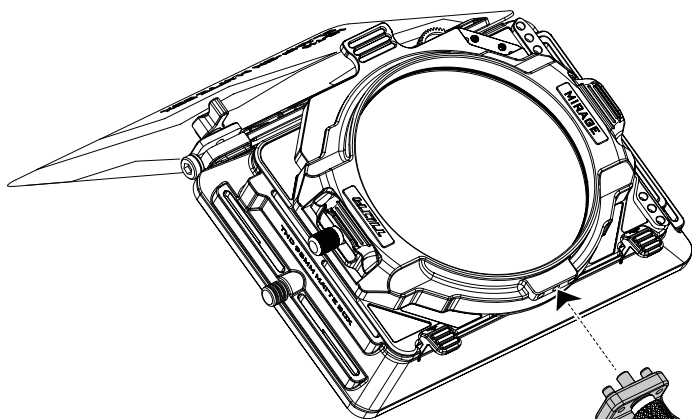
15mm导轨旋钮
15mm Rod Holder



上下调节旋钮
Up and Down Adjustment
Tie Down

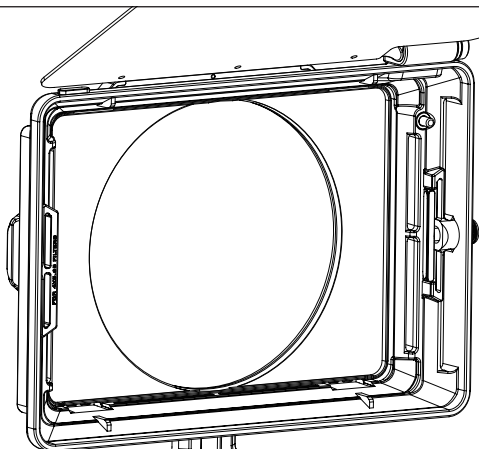
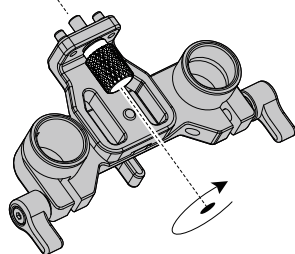
»»»»»

安装15mm导轨支撑/INSTALLING 15MM LWS SUPPORT



(1) 将15mm导轨支撑安装在VND滤镜组载体的下方
1/4"定位孔处，拧紧旋钮完成装配。

(1) Align the 1/4" -20 screw with locating pins on the
15mm LWS support with the 1/4" -20 screw hole
under the Tilta Mirage matte box. Tighten the screw.



上下调节
Up and down
adjustment

(2) 导轨支撑可上下调节平衡点
(松开手扭可上下调节平衡点)

(2) Adjust the 15mm LWS
support vertically to balance
the center of gravity for your
setup's needs.

(Loosen the tie down screw
to adjust vertically.)