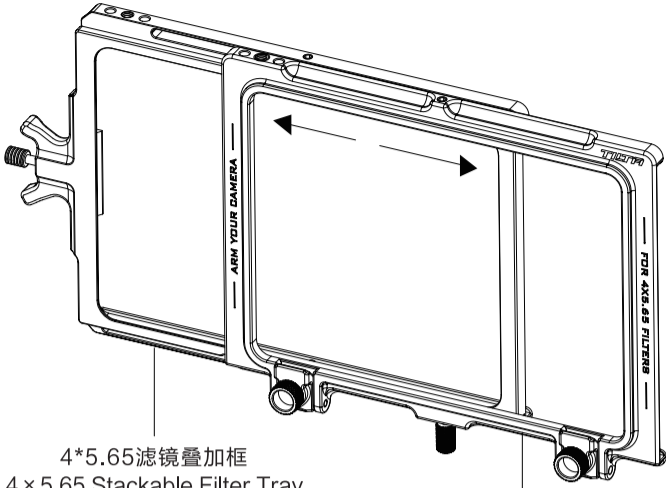


# 4X5.65 STACKABLE FILTER

**TILTA** TRAY HOLDER FOR TILTA MIRAGE



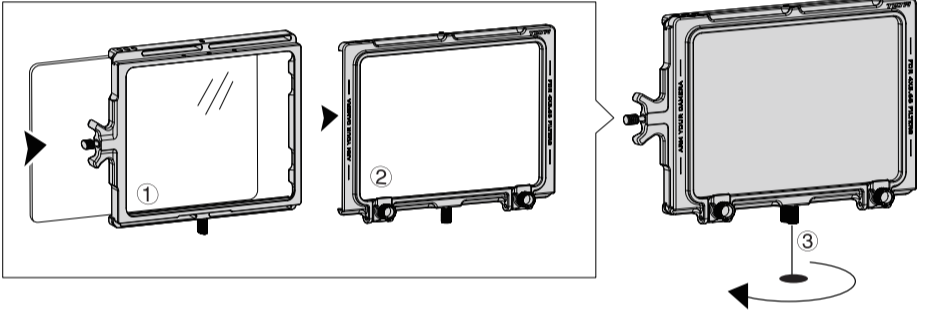
4\*5.65滤镜叠加框  
4 × 5.65 Stackable Filter Tray

4\*5.65滤镜卡槽  
4 × 5.65 Stackable Filter Tray Holder

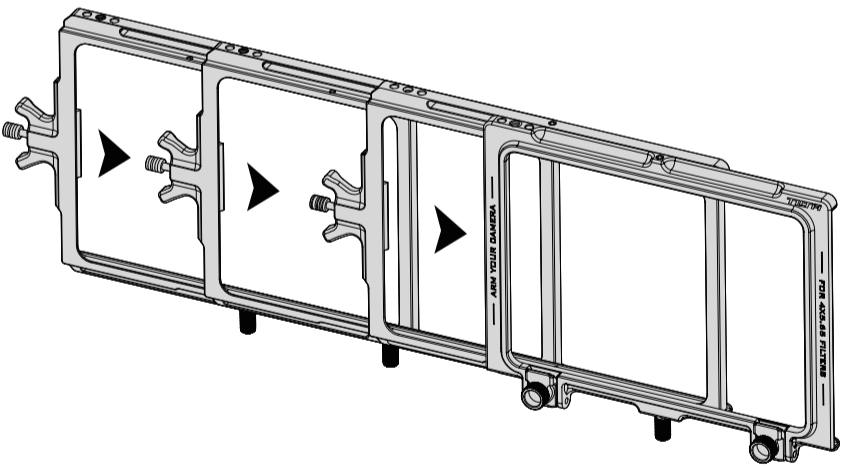
## 安装4\*5.65滤镜卡槽基础配件/INSTALLING 4X5.65 STACKABLE FILTER TRAY HOLDER

将镜片推推进4\*5.65滤镜卡槽叠加配件①中，再将叠加配件滑入4\*5.65滤镜卡槽②中，拧紧旋钮③完成装配。

Place the filter into ① the 4 × 5.65 stackable filter tray. Slide the filter tray with filter into ② the 4 × 5.65 stackable filter tray holder. Tighten ③ the tie down screw.



## 可搭配多个叠加4\*5.65滤镜卡槽叠加配件使用 Using Multiple 4 × 5.65 Stackable Filter Trays



## 装配于VND载体上/Mounting onto VND

松开4\*5.65滤镜卡槽基础配件的两个螺丝旋钮①，将其装配在VND载体上②，可和VND滤镜搭配使用，装配完拧紧旋钮③即可。

Loosen ① the two screws on the 4 × 5.65 stackable filter tray holder. Attach ② the VND holder to the stackable filter tray holder. Tighten ③ the tie down screw.

(注：拓展该卡槽叠加配件无需装配遮光斗罩体)

(NOTE: This filter accessory is to be used alone without the matte box body.)

