

95MM POLARIZER

TILTA FOR TILTA MIRAGE

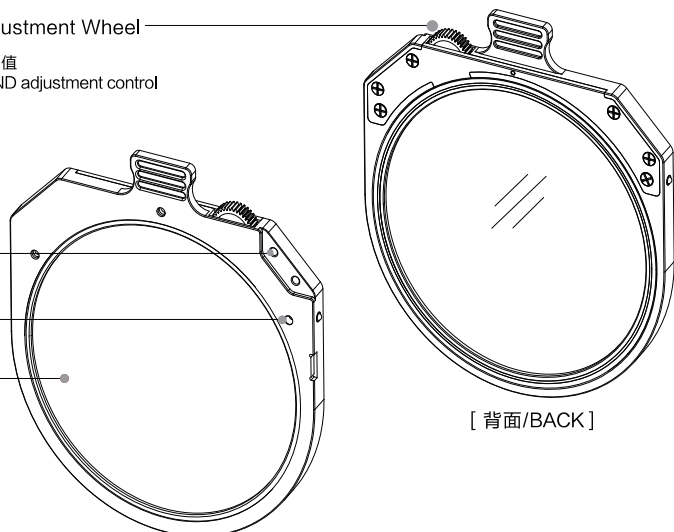
ND调节齿轮 / ND Adjustment Wheel

可手动或电控操作调节ND值
For manual or electronic ND adjustment control

M3螺纹孔
M3 Screw Hole

M3螺纹孔
M3 Screw Hole

单层滤镜片
Single Filter



[正面/FRONT]

[背面/BACK]

安装95mm CPL偏振滤镜/INSTALLING THE 95MM POLARIZER FILTER FOR TILTA MIRAGE

(1) 插入95mm CPL偏振滤镜

需要取出95mm CPL偏振滤镜时，将安全卡扣拨开，即可取出。

Inserting the 95mm Polarizer Filter for Tilta Mirage.

When taking out the 95mm Polarizer Filter, pull the locking toggle to release the filter tray, then remove it from the matte box.

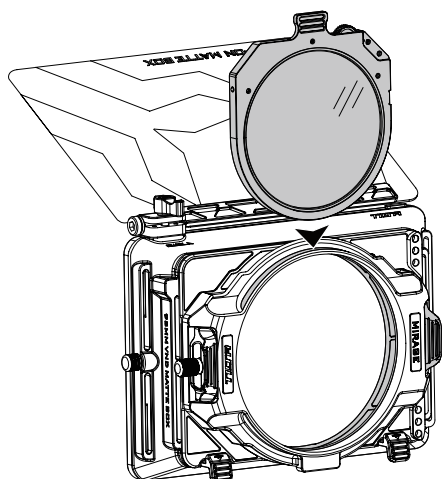
[装配注意/NOTES]:

A: 95mm CPL偏振滤镜插入斗身时，需以产品[正面]为准，避免滤镜组造成损坏。

a: When inserting the 95mm variable ND filter tray, please make sure to align the front of the filter tray to avoid any damage to the product.

B: 取出95mm CPL偏振滤镜后，需安装回95mm圆形滤镜框。

b: After taking out the 95mm Polarizer Filter, please insert the 95mm circular filter tray.



(2) 手动控制

95mm CPL偏振滤镜镜右上端有一个齿轮，用手拨动该齿轮即可改变ND的变量以达到手动控光。

Manual control.

Toggle the wheel located on the top right of the 95mm variable ND filter tray to adjust the ND for your exposure needs.

