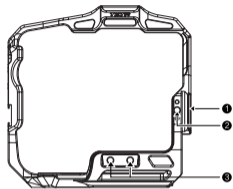


NIKON Z9

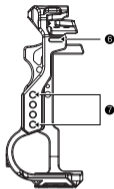
TILTA

尼康Z9摄影机拓展套件

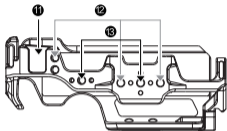
01 认识全笼



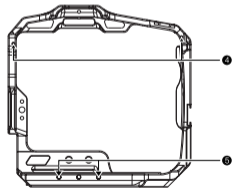
<正面>



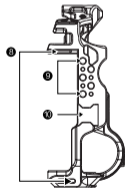
<左侧臂>



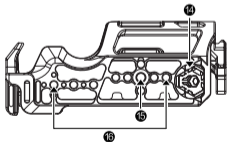
<顶部>



<背面>



<右侧臂>



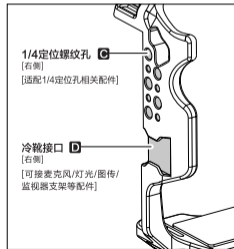
<底部>

- 1 NATO滑条[侧臂]
- 2 1/4定位孔
- 3 1/4螺纹孔
- 4 机身耳机固定孔[背面]
- 5 M4螺纹孔
- 6 肩带接口
- 7 1/4螺纹孔
- 8 腕带接口
- 9 1/4定位孔
- 10 冷靴接口
[可接麦克风/灯光/图传/监视器支架等配件]
- 11 冷靴接口
[可接麦克风/灯光/图传/监视器支架等配件]
- 12 1/4螺纹孔
- 13 1/4定位孔
- 14 一字螺丝扳手
[可磁吸附于底部的拆卸工具,同时可用硬币替换使用]
- 15 机身固定孔[底部]
- 16 1/4螺纹孔

全笼细节展示 >>



- A NATO滑条
[左侧]
可外接TILTAING侧手柄等配件
- B 1/4螺纹孔
[左侧]
[适配1/4螺纹孔相关配件]

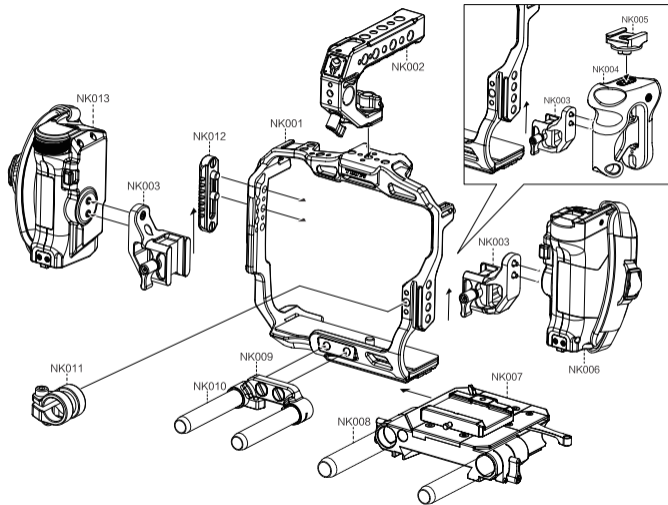


- C 1/4定位螺纹孔
[右侧]
[适配1/4定位孔相关配件]
- D 冷靴接口
[右侧]
[可接麦克风/灯光/图传/监视器支架等配件]

02 FOR NIKON Z9

套件分解说明

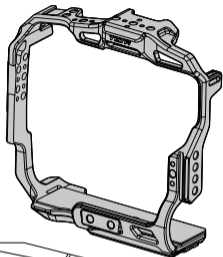
编号	产品名称	产品型号
NK001	尼康Z9全笼	TA-T31-FCC-B
NK002	Tilting轻型上手提	TA-QRTH2-B
NK003	手柄NATO延长件-左(右)	TA-AHA6-L(R)-B
NK004	木质手柄	TA-LWH-B
NK005	冷靴母座	TA-CSR
NK006	专业录制手柄-左	TA-LRH-57-B
NK007	19mm底座	TA-BSP-19-B
NK008	19*200mm导轨	R19-200-B
NK009	15mm管夹	TA-DRH-B
NK010	15*200mm导轨	R15-200-B
NK011	底部单孔卡件	TA-BSRA-15-B
NK012	Nato滑条长款36mm	TA-NRA-36-B
NK013	跟焦录制手柄-右	TA-RFH-57-B



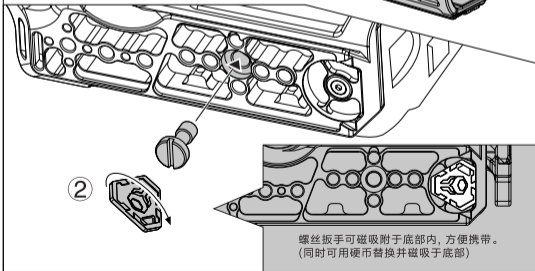
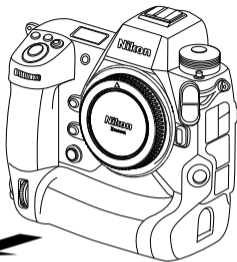
03 安装全笼

1 将摄影机装入①尼康Z9全笼。

2 取出②一字扳手，将螺丝锁进笼子底部的机身固定孔上，完成装配。



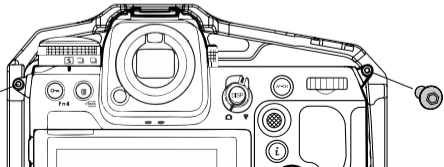
1



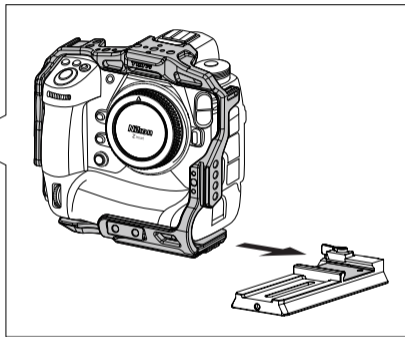
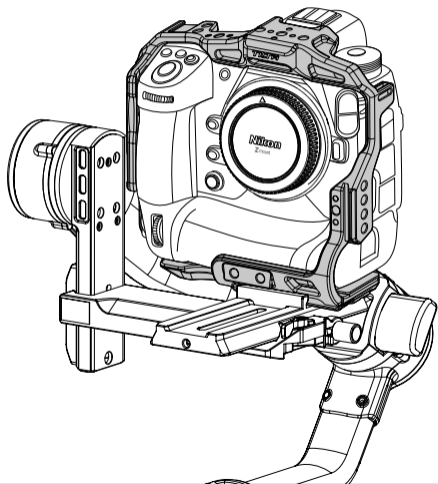
螺丝扳手可磁吸附于底部内，方便携带。
(同时可用硬币替换并磁吸于底部)

3 需先无损拆卸原装摄影机上的三角挂环，再将M2.5螺丝③通过挂环接口锁紧在笼子上完成装配。(笼子两侧均有耳孔)

3



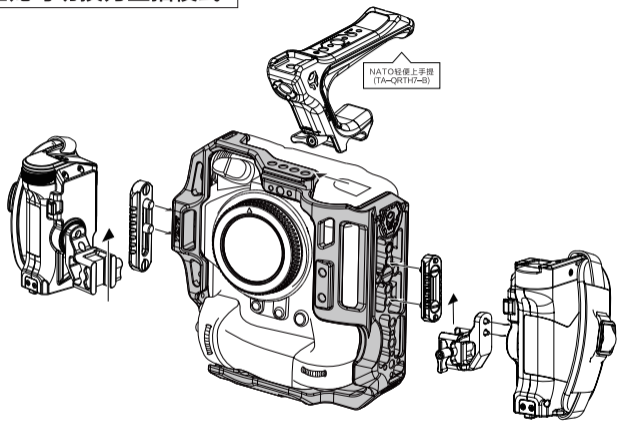
04 轻松装配于如影系列云台上



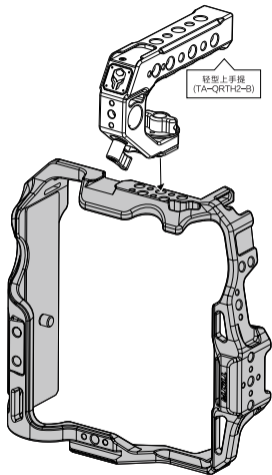
► 阿卡燕尾滑条

笼子底部设有阿卡燕尾滑条，可轻松快速安装上稳定器/脚架等。

05 全笼可切换为竖拍模式



全笼两侧臂在竖拍模式下均可拓展配件使用。



06 安装通用上手提

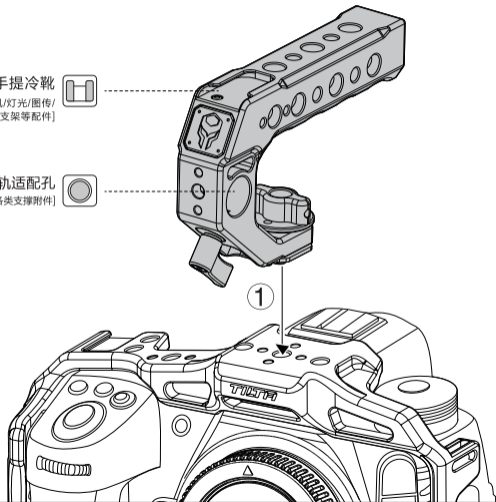
手提冷靴

[可接麦克风/灯光/图传/
监视器支架/手机支架等配件]

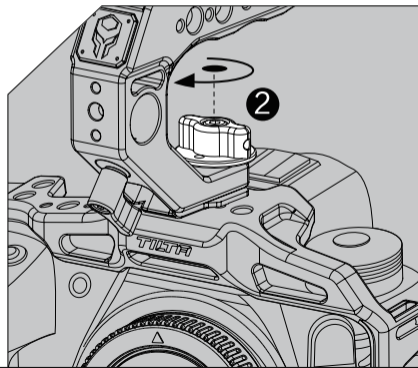


15mm导轨适配孔

[可装载EVF支架并扩展各类支撑附件]

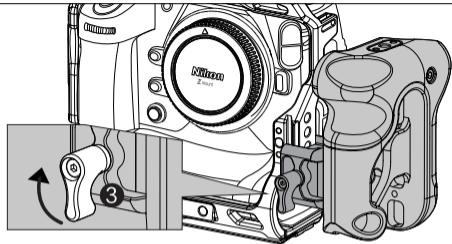
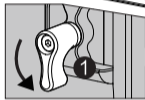


将①上手提装在笼子顶部的1/4定位孔上，
并转动②旋钮锁紧螺丝完成装配。



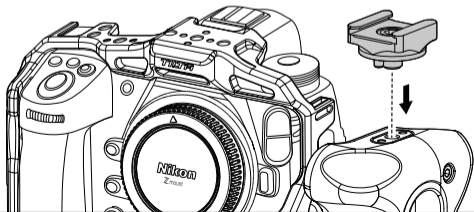
07 安装木质手柄和冷靴

1. 先松开①Nato滑条延长件手扭，将②木质手柄完全滑入右侧滑条。

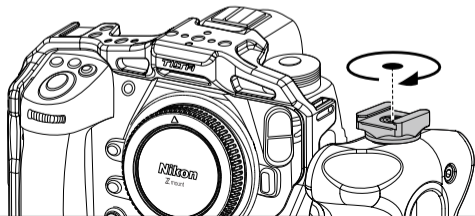


2. 滑入后拧紧③手扭即可完成装配。

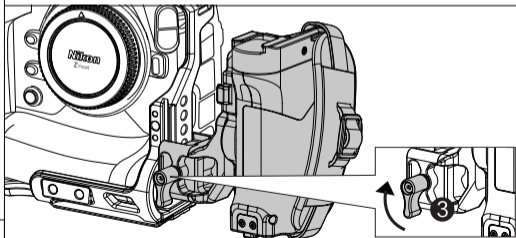
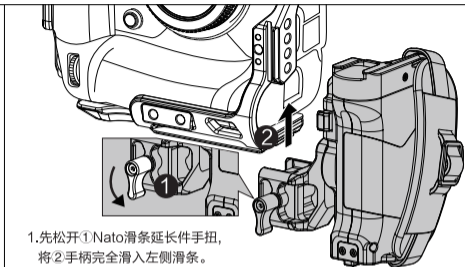
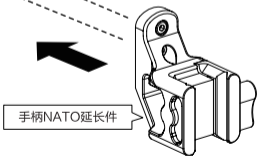
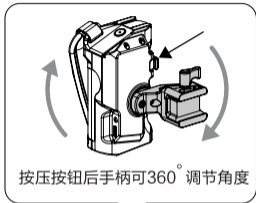
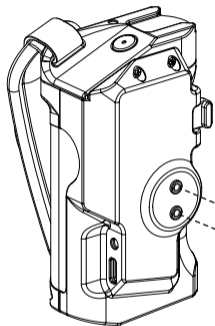
3. 将冷靴装在木质手柄顶部的1/4定位孔上。



4. 对应后拧紧螺丝即可完成装配。



08 安装手柄/手柄转接件



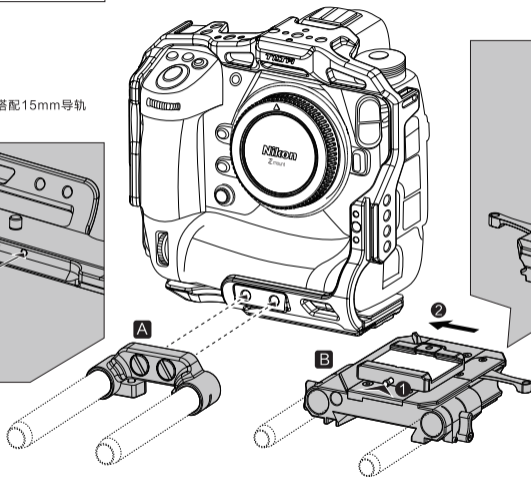
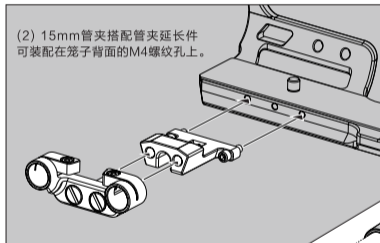
录制手柄是稳定Type-c 8V、DC OUT 12V常规输出接口, 外接设备请按照设备额定电压操作,如因不规范操作造成设备损坏, 自行承担。

09

安装19mm底座/15mm管夹

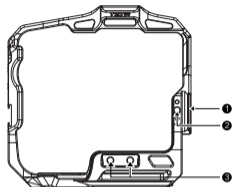
安装 **A** 15mm管夹

(1) 将15mm管夹装配在笼子的1/4螺纹孔上，搭配15mm导轨拓展跟焦功能。

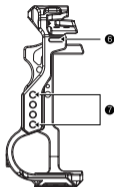
安装 **B** 19mm底座

[可拓展19mm导轨]

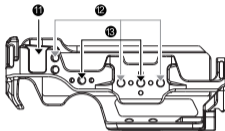
按压①安全销，将底座②滑入笼子后
拧紧③手扭完成装配。



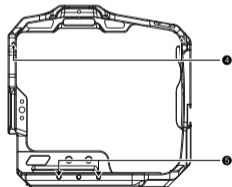
<FRONT>



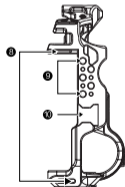
<LEFT SIDE ARM >



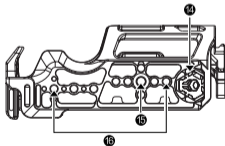
<TOP >



<BACK>



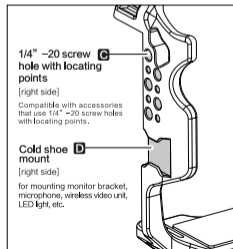
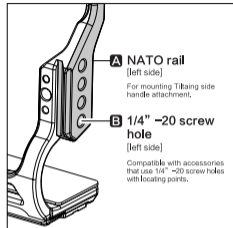
<RIGHT SIDE ARM >



<BOTTOM >

- 1 NATO rail (left side arm)
- 2 1/4" -20 screw holes with locating points
- 3 1/4" -20 screw hole
- 4 Locating pin hole (back)
- 5 M4 screw hole
- 6 Strap holder
- 7 1/4" -20 screw hole
- 8 Wrist strap holder
- 9 1/4" -20 screw holes with locating points
- 10 Cold shoe mount (right side arm)
[for mounting monitor bracket, microphone, wireless video unit, LED light, etc.]
- 11 Cold shoe mount (top)
[for mounting monitor bracket, microphone, wireless video unit, LED light, etc.]
- 12 1/4" -20 screw hole
- 13 1/4" -20 screw holes with locating points
- 14 Magnetic flat head screwdriver
[can be stored on the bottom of the camera cage. Coin can be used as a replacement]
- 15 Security mounting hole (bottom)
- 16 1/4" -20 screw hole

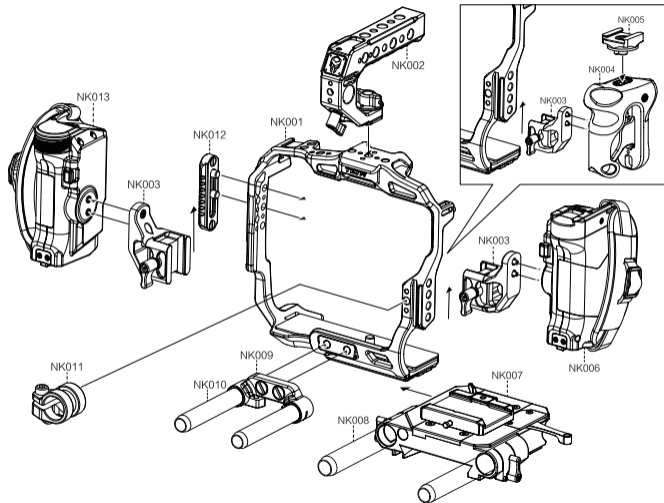
DETAILS >>



11 FOR NIKON Z9

OVERVIEW

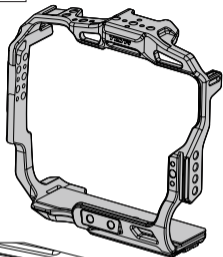
NO.	PRODUCT NAME	SKU
NK001	Full Camera Cage for Nikon Z9	TA-T31-FCC-B
NK002	Tilting Lightweight Quick Release Top Handle with Arri Locating Pins	TA-QRTH2-B
NK003	Tilting Advanced Side Handle Attachment Type VI	TA-AHA6-L(R)-B
NK004	Tilting Left Side Wooden Handle	TA-LWH-B
NK005	Tilting Cold Shoe Receiver Attachment	TA-CSR
NK006	Tilting Left Side Advanced Power Handle with Run/Stop (F570 Battery)	TA-LRH-57-B
NK007	Tilting 19mm Studio Baseplate Type I	TA-BSP-19-B
NK008	Aluminum Rod 19*200mm	R19-200-B
NK009	Tilting Dual 15mm Rod Holder Attachment	TA-DRH-B
NK010	Aluminum Rod 15*200mm	R15-200-B
NK011	Tilting 15mm Bottom Single Rod Holder	TA-BSRA-15-B
NK012	Tilting Right Side Advanced Focus Handle(F570 Battery)	TA-NRA-36-B
NK013	Tilting 36mm NATO Rail Attachment	TA-RFH-57-B



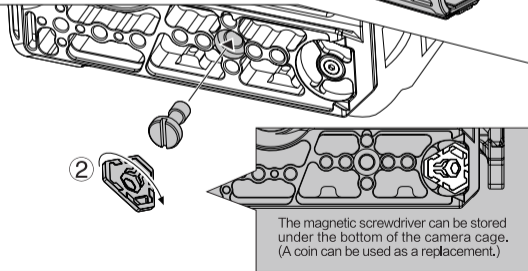
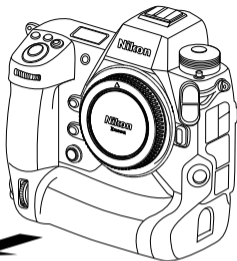
12

INSTALLING THE CAGE

- 1 Place the camera into ① the full camera cage.
- 2 Take out ② the flat head screwdriver from the bottom of the camera cage. Insert the screw into the screw hole and tighten the screw.



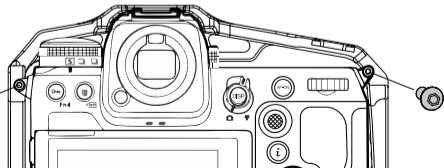
①

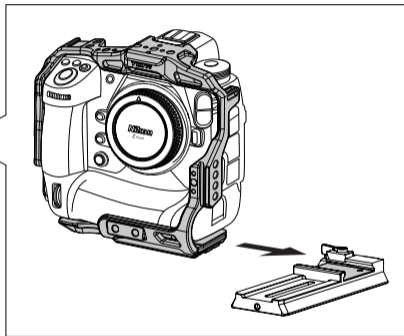
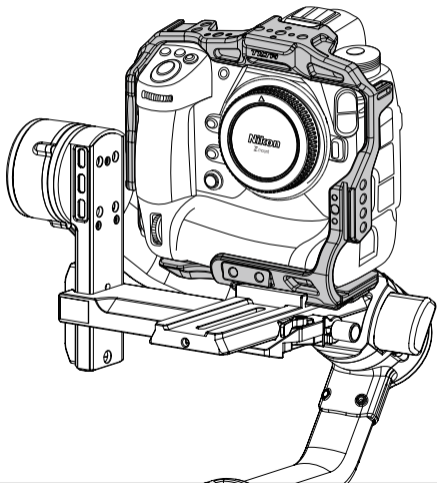


The magnetic screwdriver can be stored under the bottom of the camera cage. (A coin can be used as a replacement.)

- 3 Uninstall the original strap ring on the camera. Insert ③ the M2.5 screws into the strap ring holders and tighten the screws to the camera cage. (Both sides of the camera cage have strap ring holders.)

③



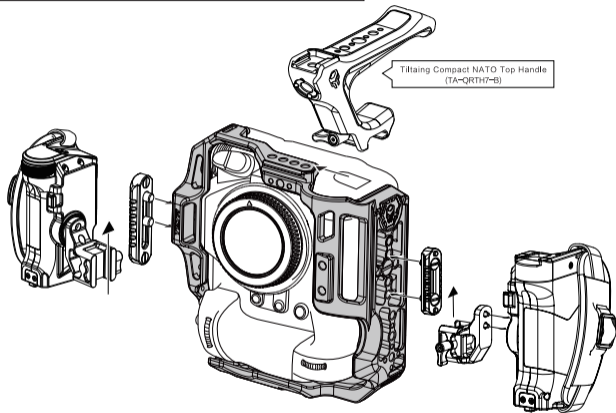


► Arca-Swiss Standard Dovetail

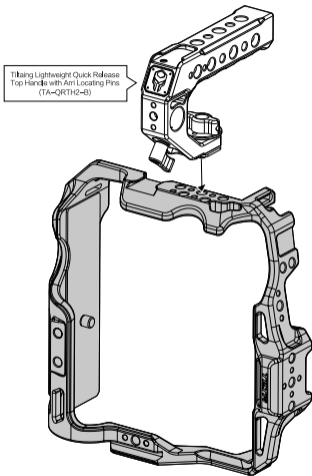
The ARCA-Swiss dovetail at the bottom of the camera cage is compatible with the quick release on gimbals, tripods, etc.

14

SWITCHING TO VERTICAL MODE



When the camera cage is used vertically, the top and bottom sections of the cage can function as mounting areas for the side arms.



15

INSTALLING THE TOP HANDLE

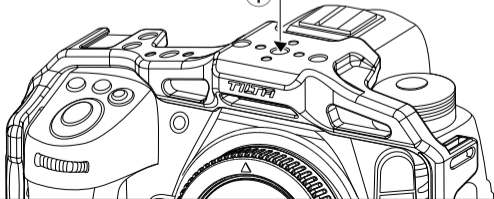
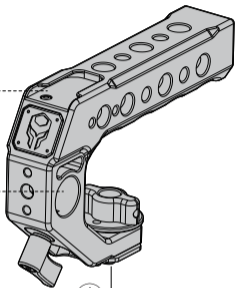
Cold Shoe Mount

[For mounting microphone, additional light, wireless video unit, monitor bracket, phone bracket, etc.]



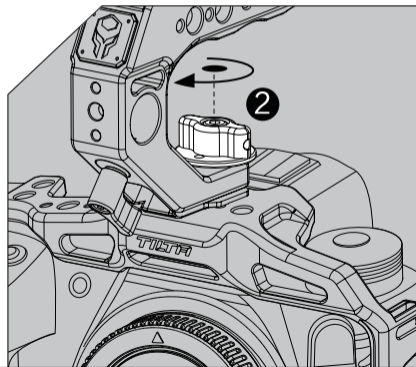
15mm Rod Holder

[Supports EVF bracket and other accessories.]



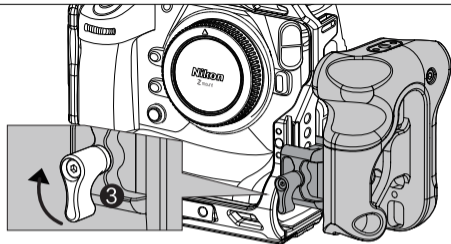
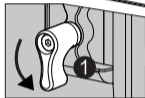
Slide ① the top handle into the cold shoe mount on top of the camera cage until the 1/4"-20 locating point is aligned.

Tighten ② the tie-down screw.



16**INSTALLING WOODEN HANDLE &
COLD SHOE RECEIVER ATTACHMENT**

1. Loosen the tie down on the ① side handle attachment and slide the ② wooden handle onto the NATO rail on the left side of the cage.

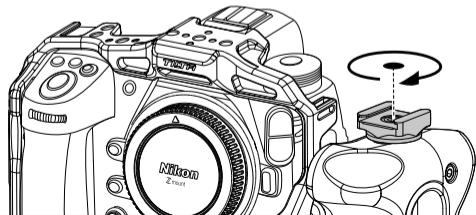


2. Tighten the ③ tie down screw.

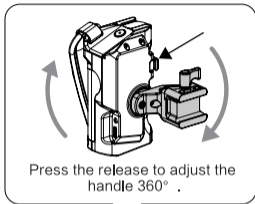
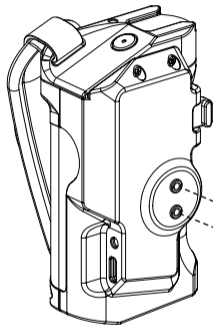
3. Align the cold shoe receiver attachment with the 1/4" -20 screw hole on top of the wooden handle.



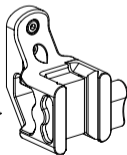
4. Tighten the tie down screw.



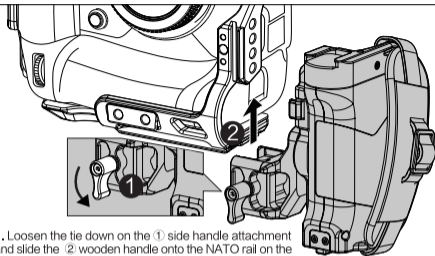
17

INSTALLING SIDE HANDLE &
SIDE HANDLE ATTACHMENT

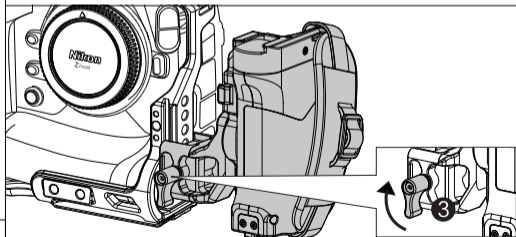
Tilting Advanced Left
Side Handle Attachment
Type VI



The focus handle has USB-C 8V and DC 12V outputs. Please check and connect your equipment accordingly. Tilta is not responsible for any user errors.



1. Loosen the tie down on the ① side handle attachment and slide the ② wooden handle onto the NATO rail on the left side of the cage.

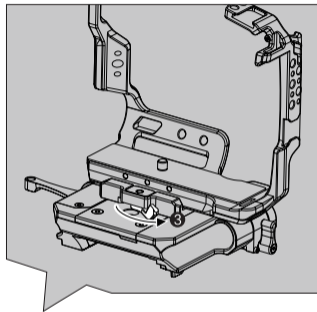
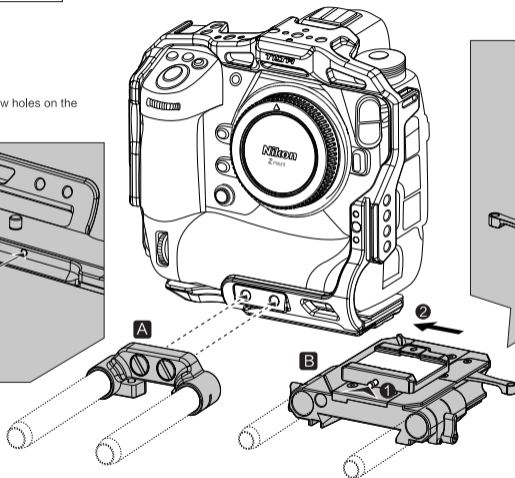
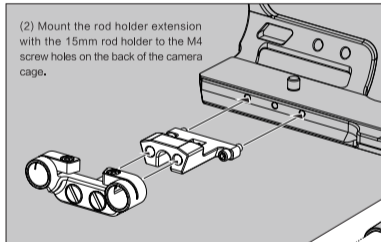


2. Tighten the ③ tie down screw.

Installing **A** 15mm Rod Holder

(1) Install the 15mm rod holder to the 1/4"-20 screw holes on the camera cage.

(2) Mount the rod holder extension with the 15mm rod holder to the M4 screw holes on the back of the camera cage.



Installing **B** 19mm Rod Holder (For mounting 19mm rods.)

Press ① the safety pin, and slide ② the baseplate onto the bottom of the camera cage. Tighten ③ the tie down.

TILTA FOR NIKON Z9