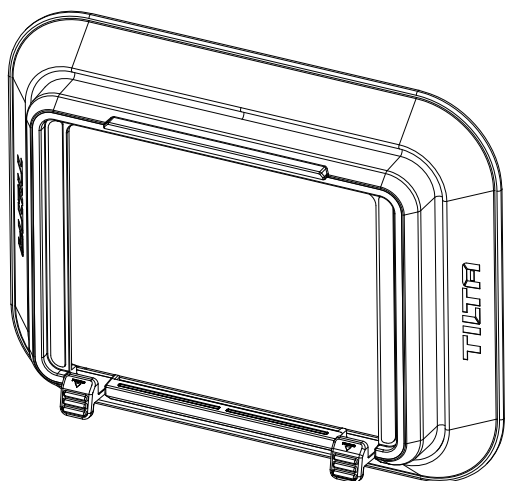
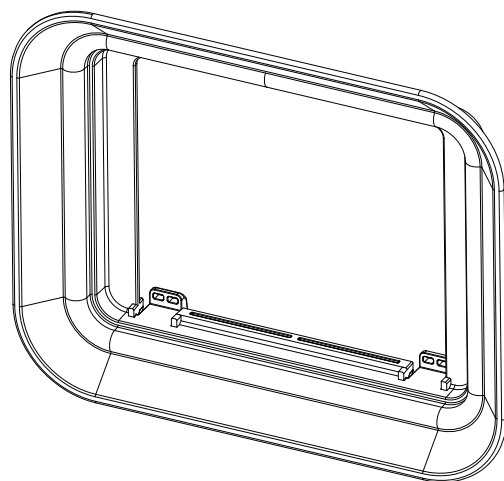


# RUBBER HOOD

**TILTA** FOR TILTA MIRAGE



[背面]



[正面]



## 安装幻境软胶消光斗/INSTALLING THE RUBBER HOOD FOR TILTA MIRAGE

幻境消光斗可在消除反光，保护设备的基础上，还可内嵌一片4\*5.65滤镜片，提高拍摄效果。  
搭配VND滤镜组使用：将VND滤镜组稳固装配在幻境消光斗上，即完成装配。

The rubber hood can be used with an additional 4x5.65 filter to achieve the desired image style.  
When used with a variable ND filter, mount the variable ND filter tray to the rubber hood.

