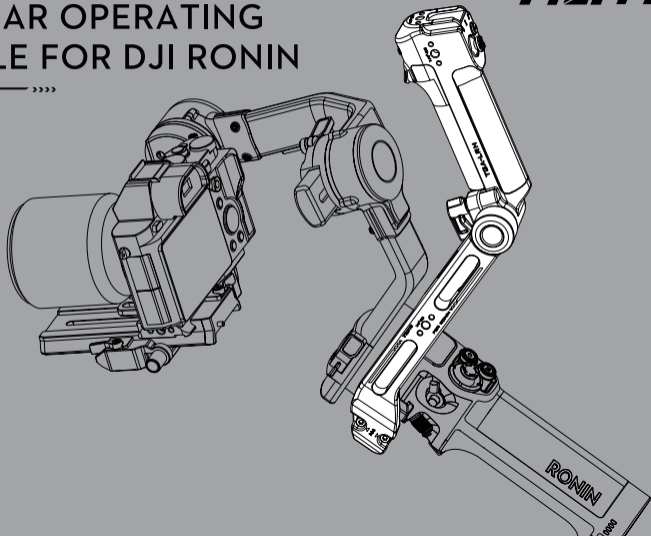


TILTA

LIGHTWEIGHT REAR OPERATING CONTROL HANDLE FOR DJI RONIN

轻型控制提壶手柄



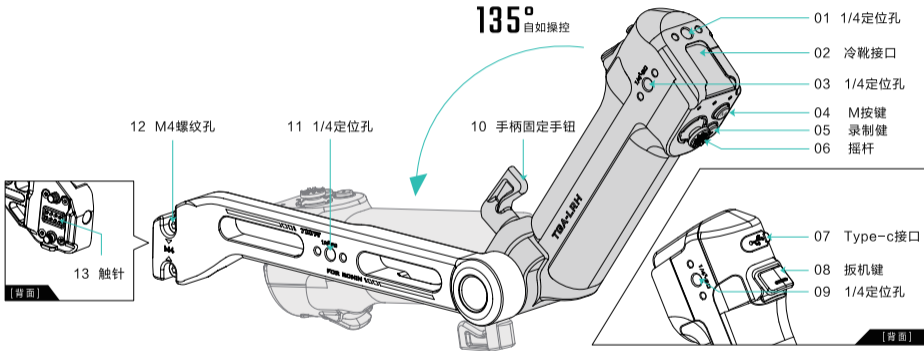
TGA-LRH

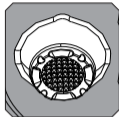
01

认识轻型控制提壶手柄



135°
自如操控





摇杆

上下摇动：控制俯仰轴运动

左右摇动：控制平移轴运动

校准方法：连续按扳机键三下，到第四下的时候长按，这时三个指示灯会闪烁，将摇杆上下左右各打一圈，等待20s指示灯恢复正常(也可同样连续按扳机键三下，到第四下时长按退出，指示灯显示正常)校准成功。不成功指示灯为黄灯闪烁。

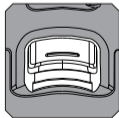


M按键

单击：切换模式，指示灯随模式切换。(三种模式：M1 双轴跟随；M2 平移跟随；M3 全域跟随)

长按不放：进入运动模式(松开M键解除键运动模式)。 长按并双击扳机键：进入运动模式(不需要保持长按不放)，重复操作可退出功能。
双击：竖拍模式，再次双击M键取消竖拍模式。

三击：进入360旋转模式，重复可退出。360旋转模式下，向左或向右连续摇动摇杆两次，可使相机自动旋转，双击扳机键可停止。



扳机Trigger键

单击：(安装图传系统并开启)开始智能跟随

双击：云台回中

三击：进入自拍模式

长按不放：进入锁定模式

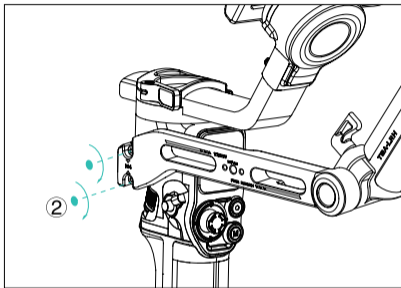


相机控制按键

半按：控制自动对焦

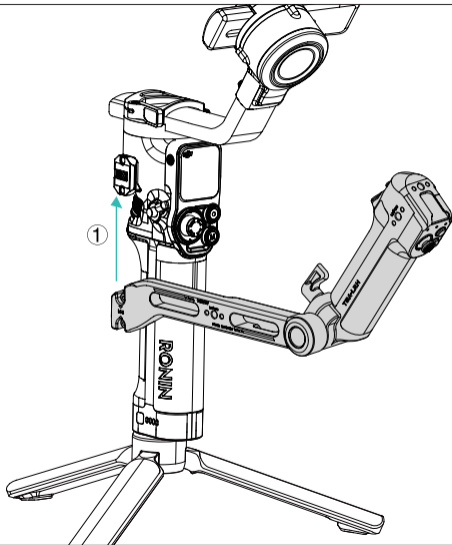
短按：开始或停止录像

长按：拍照

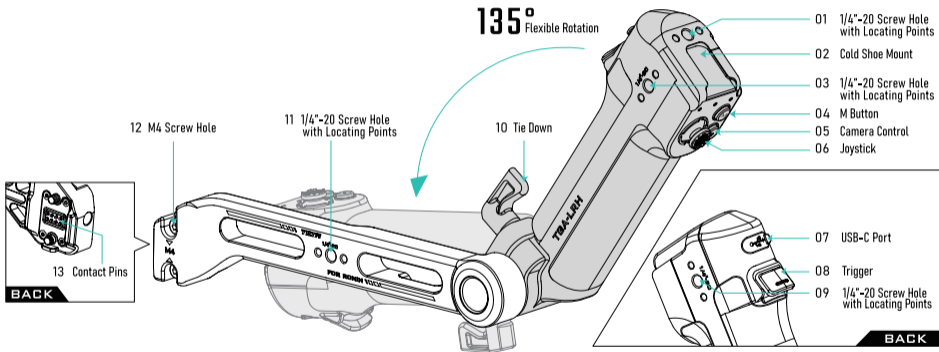


将手柄滑到云台①触点位置对齐，（注意左侧的触针）
拧紧②M4螺丝完成装配。

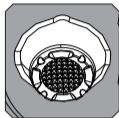
注:装配和拆卸时，都需注意手柄背面的触针，拆卸时螺丝需松到最大限位，请严格按照说明书来使用，以免对触针造成损伤。



04 OVERVIEW



05 FUNCTIONS



Joystick

Push up and down: Control the movement of the tilt axis.

Push left and right: Control the movement of the pan axis.

Calibration: Press the trigger three times in a row. Long hold the trigger for the fourth time and the three indicator will flash. Push the joystick up, down, left, and right. 20s later the indicator will reset. (Or press the trigger three times, long hold to exit on the fourth press, and the indicator will reset to normal.) Calibration is done. If the calibration is unsuccessful, the indicator will turn yellow.



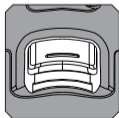
M Button

Single click: Switch modes. The indicator light changes as the mode changes. (3 follow status: M1-PTF; M2-PF; M3-FPV).

Press and hold: Enter Sport mode (Release M button to exit Sport mode). Press and hold and press the trigger twice to remain in Sport mode. (No need to hold for a long time.) Repeat to exit Sport mode.

Double click: Enter vertical mode. Repeat to exit vertical mode.

Triple click: Enter 3D Roll 360 mode. Repeat to exit 3D Roll 360 mode. When in this mode, move the joystick left or right twice to automatically rotate the camera. Click the trigger twice to stop continuous auto rotation.



Trigger

Single click: Start smart following(wireless video system not activated)

Double click: Reset gimbal

Triple click: Selfie mode

Hold: Lock mode



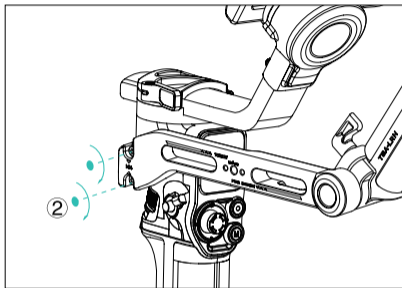
Camera Control Button

Half press: For autofocus.

Short press: to start or stop the camera.

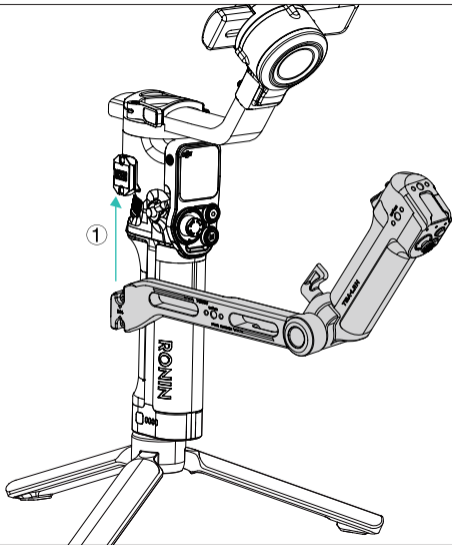
Long press: Take a photo.

06 HOW TO



Slide the handle up and align ① the contact with pins on the gimbal. (Pay attention to the contact pins on the left side.) Tighten ② the M4 screws to complete the installation.

NOTE: Please be cautious with the contact pins on the back of the handle when assembling and disassembling. Please follow the instructions to avoid any damage.



LIGHTWEIGHT REAR OPERATING CONTROL
HANDLE FOR DJI RONIN