

FOR PANASONIC S5 II/IX **TILTA** [Full Camera Cage for Panasonic S5 II/IX]

01 [DISCLAIMER]

Thank you for purchasing a TILTA product.

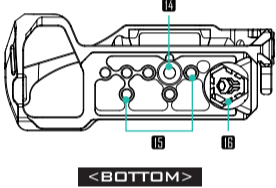
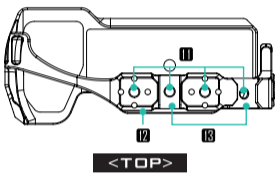
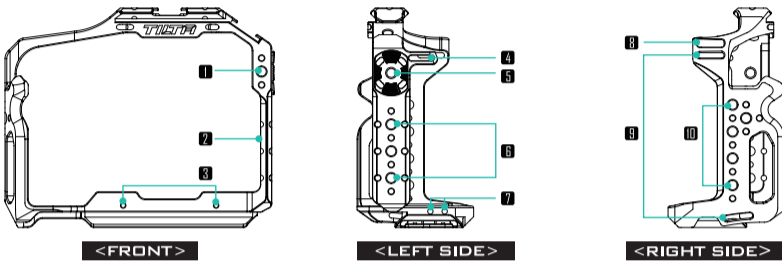
Before using this product, please carefully read this document to ensure that the product has been set up correctly. The final interpretation of this document and all related documents for this product belongs to TILTA. For updates, please visit the official website at www.tilta.com for the latest product information. TILTA reserves the right to modify any information in this manual at any time without prior notice and without assuming any responsibility.

By using this product, you are deemed to have carefully read the disclaimer and warnings, understood, agreed, and accepted all the terms and content of this statement. You promise to take full responsibility for the use of this product and any consequences that may arise. You commit to using this product only for legitimate purposes and agree to this term as well as any related regulations, policies, and guidelines set by TILTA.

TILTA is not responsible for any damages, injuries, or legal liabilities caused directly or indirectly by the use of this product. Users should follow all safety guidelines mentioned in this document, including but not limited to those mentioned. Despite the above provisions, consumer rights are still protected by local laws and regulations and are not affected by this disclaimer.

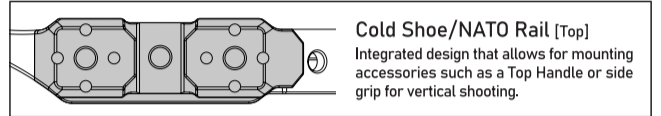
TILTA is a trademark of Shenzhen TILTA Technology Co., Ltd. and its affiliated companies. Product names, brands, and other trademarks appearing in this document are trademarks or registered trademarks of their respective companies.

02 [FULL CAGE OVERVIEW]

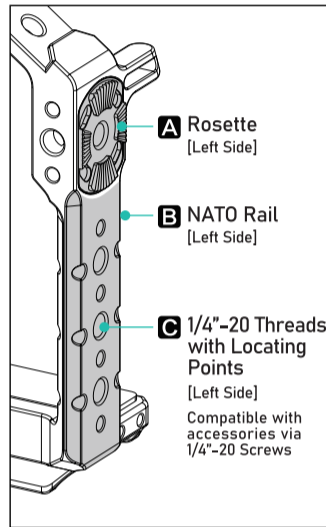


- 1 1/4"-20 Thread with Locating Points
- 2 NATO Rail (Side Arm)
- 3 M3 Thread (For mounting lens adapter support.)
- 4 Shoulder Strap Receiver
- 5 Rosette
- 6 1/4"-20 Thread with Locating Points
- 7 M3 Thread (For mounting cable clamp.)
- 8 Shoulder Strap Receiver
- 9 Wrist Strap Receiver
- 10 1/4"-20 Thread with Locating Points
- 11 1/4"-20 Threads
- 12 NATO Rail (Top)
- 13 Cold Shoe Receiver (For mounting onboard microphones, LED lights, and wireless video transmitters.)
- 14 Camera Mounting Screw (Bottom)
- 15 1/4"-20 Threads
- 16 Flat Head Screwdriver (Stores under the camera cage. Can be replaced by a coin.)

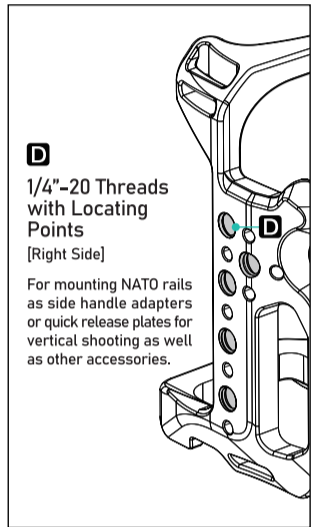
OVERVIEW >>



Cold Shoe/NATO Rail (Top)
Integrated design that allows for mounting accessories such as a Top Handle or side grip for vertical shooting.

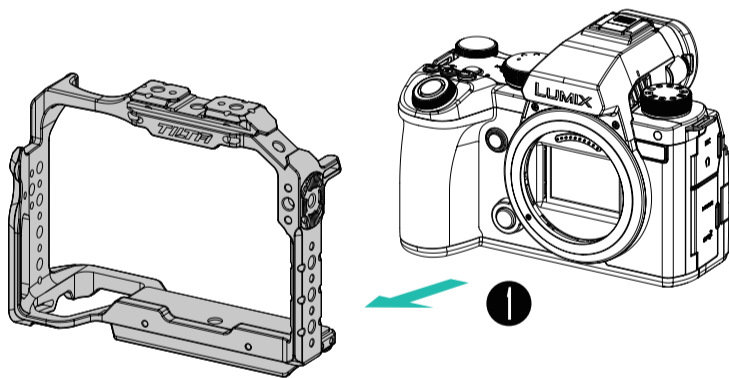


- A** Rosette [Left Side]
- B** NATO Rail [Left Side]
- C** 1/4"-20 Threads with Locating Points [Left Side] Compatible with accessories via 1/4"-20 Screws

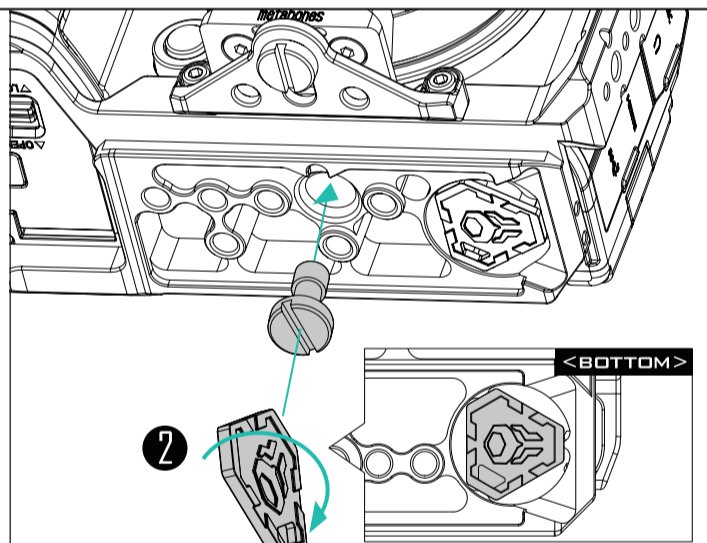


- D** 1/4"-20 Threads with Locating Points [Right Side]
- For mounting NATO rails as side handle adapters or quick release plates for vertical shooting as well as other accessories.

03 [INSTALLING THE FULL CAMERA CAGE]

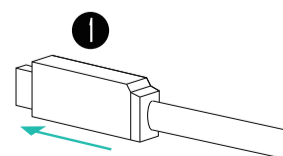
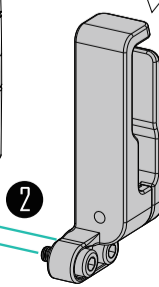
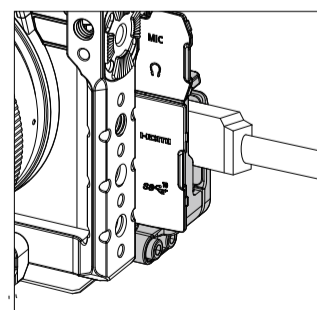
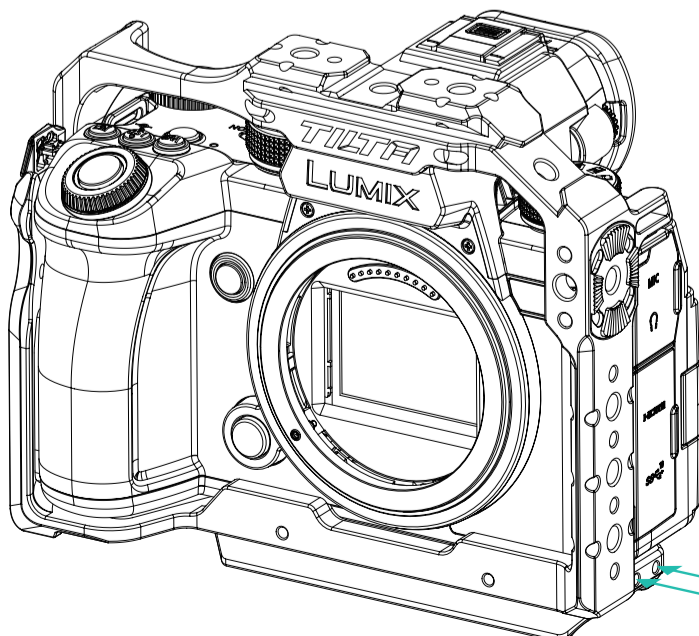


1. Place the camera into ① the full camera cage. Take out ② the flat head screwdriver from the bottom of the camera cage. Insert the screw into the thread and tighten the screw.



2. The multi-functional screwdriver can be stored under the bottom of the camera cage. (A coin can be used as a replacement.)

04 [ASSEMBLING THE CABLE CLAMP]



- Insert ① the data cable into ② the cable clamp, and then mount the cable clamp to the M3 thread on the left side of the cage.

FOR PANASONIC S5 II/IX **TILTA** [铁头 松下S5 II/IX全笼拓展套件]

01 [免责声明]

感谢您购买TILTA产品。

使用本产品之前,请仔细阅读本文以确保已对产品进行正确的设置。本文档及本产品所有相关的文档最终解释权归TILTA所有。如有更新,请访问www.tilta.com官方网站获取最新的产品信息。TILTA保留随时修改本手册中任何信息的权利,无需提前通知且不承担任何责任。

一旦使用本产品,即视为您已经仔细阅读免责声明与警告,理解、认可和接受本声明全部条款和内容。您承诺对使用本产品以及可能带来的后果负全部责任。

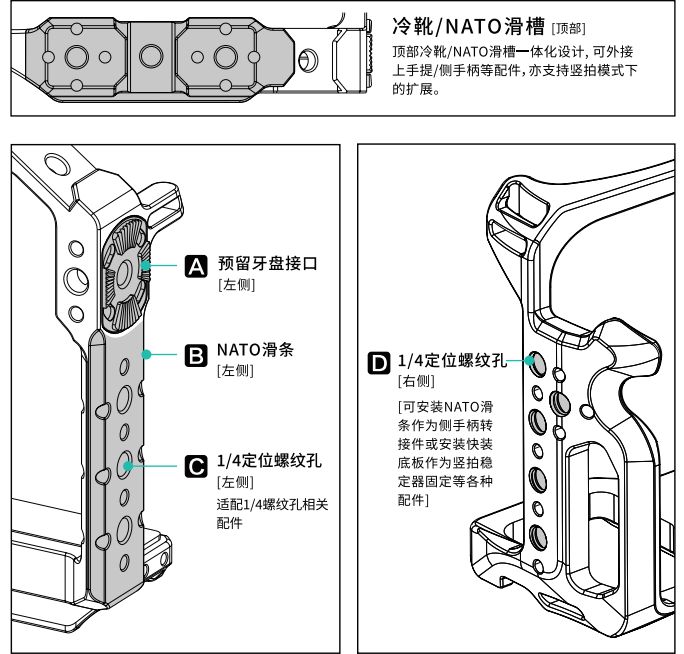
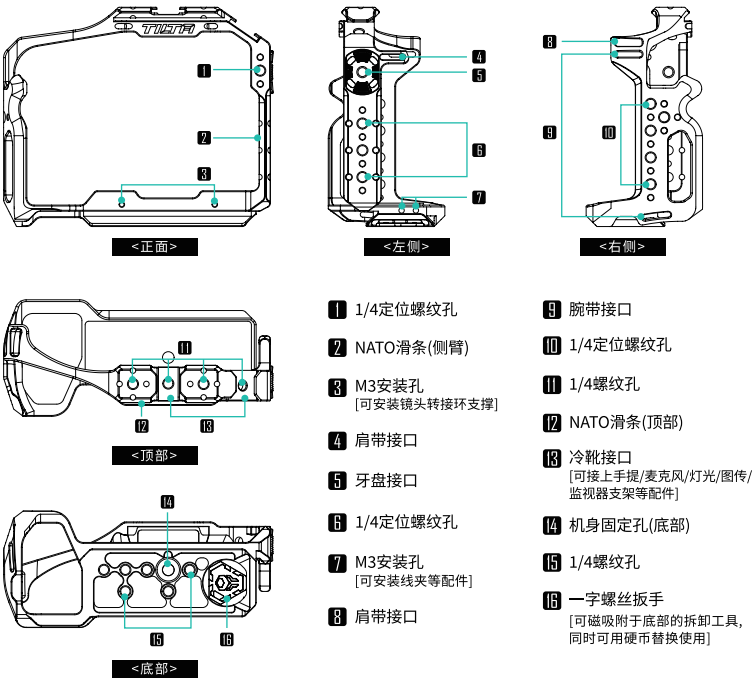
您承诺仅出于正当目的使用本产品,并且同意本条款以及TILTA制定的任何相关条例、政策和指引。TILTA对于直接或间接使用本产品而造成的损坏、伤害以及任何法律责任不予负责。用户应遵循包括但不限于本文提及的所有安全指引。

即使存在上述规定,消费者权益依然受当地法律法规所保障,并不受本免责声明影响。

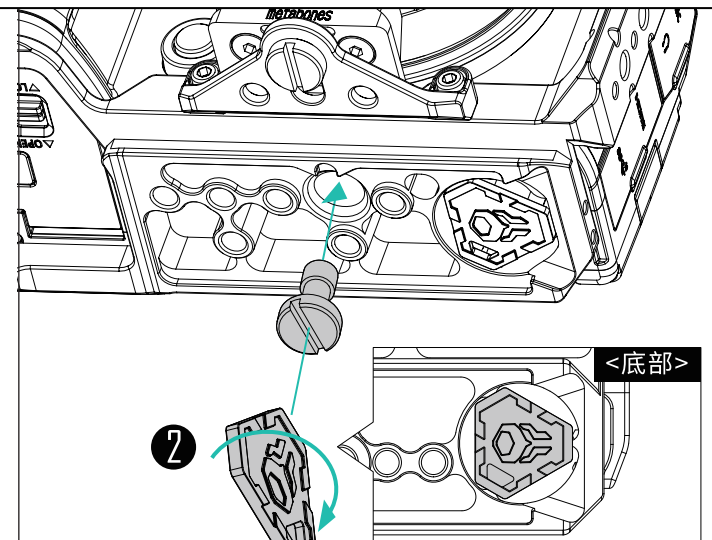
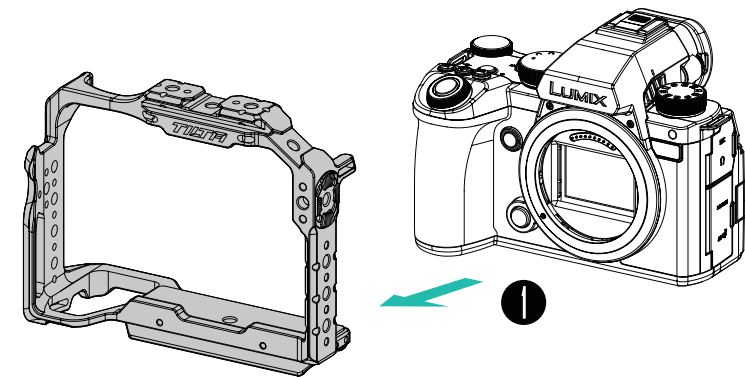
TILTA是深圳市铁头科技有限公司及其关联公司的商标。本文出现的产品名称、品牌等均为其所属公司的商标或注册商标。

02 [认识全笼]

细节展示 >>



03 [安装全笼]



04 [安装线夹]

