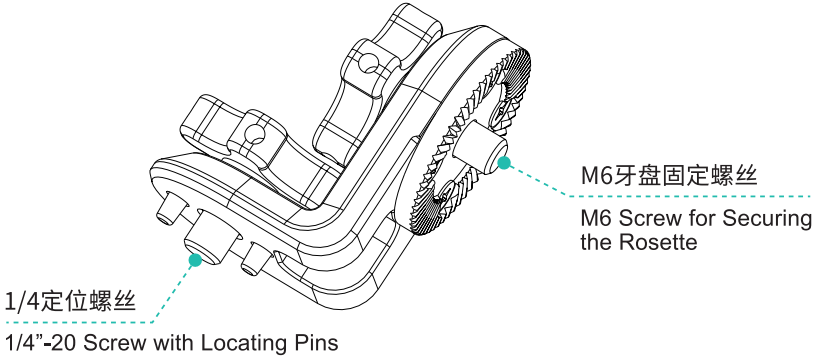


TILTA

RIGHT ANGLE ROSETTE ADAPTER TO 1/4"-20 WITH LOCATING PINS

1/4定位孔转阿莱齿轮直角接驳件



装配1/4定位孔转阿莱齿轮直角接驳件/ASSEMBLING THE RIGHT ANGLE ROSETTE ADAPTER TO 1/4"-20 WITH LOCATING PINS

以TILTA的原力N II多功能控制手柄(WLC-T05-CH)为例,可通过1/4定位孔转阿莱齿轮直角接驳件将多功能控制手柄拓展在TILTA的全能型肩架(TA-LSR)上使用。

- 1 将接驳件安装在手柄的1/4定位孔上①, 拧紧手扭螺丝②;
- 2 再将组合好的接驳件安装在肩架的牙盘接口③上, 拧紧手扭螺丝④完成。

Using Tilta Nucleus Nano II Control Handle (WLC-T05-CH) as an example. It can be installed onto the Tilta Lightweight Shoulder Rig (TA-LSR) via the Right Angle Rosette Adapter to 1/4"-20 with Locating Pins.

- 1 Align the adapter with the ① 1/4"-20 thread with locating points on the handle. Tighten ② the tie down screw.
- 2 Install the adapter with the handle to ③ the rosette on the shoulder rig. Tighten ④ the tie down screw.

