



**TILTA** | 



**TILTA** are registered trademarks owned by Tilta Technology Co., Ltd.

Address: Tilta Inc.1901 W Magnolia Blvd,Burbank,CA 91506 UNITED STATES

Tel: +1 (818) 561-4991

All copyrights belong to Tilta Technology Co. Ltd.

Written permission is needed for any reproductions.

Tilta has the right to adjust product specification without notice.

All measurements are for reference only. Please see the actual products for more details.



[www.tilta.com](http://www.tilta.com)

# HYDRA

CAR MOUNTING SYSTEM

# ABOUT US

TILTA Technology was established in 2010, dedicated to providing high-quality photography and film equipment.

From DSLR cages to professional camera accessories, we continuously refine and develop our products, gradually evolving from a manufacturer to a comprehensive solutions provider. We have achieved outstanding results in wireless lens control, camera cages, gimbal support systems, shock-absorbing car mounts, and other fields.

After setting up our own factory in 2011, we made unremitting efforts to break into the Hollywood market with our electronic control solutions, which reached new heights in 2016. In the same year, we also established our North American branch, In April 2017, we opened our showroom in Los Angeles.

As an associate member of the American Society of Cinematographers, our collaboration with many professional cinematographers enables us to continually improve our products based on their experience and suggestions, inspiring users' imagination and bringing unlimited creativity and possibilities.

The Tilta Float system has the same flexibility and mobility as expensive traditional Steadicam systems, which previously only appeared in high-budget set.

The revolutionary release of the Hydra Arm Mini provides every creator with a consumer-grade car mount shooting solution that is easy to use.

In the future, TILTA will continue to provide industry-leading products and services, creating more value for the film industry and exploring the future of the global film industry with millions of creators.



# // CATALOG

## HYDRA

---

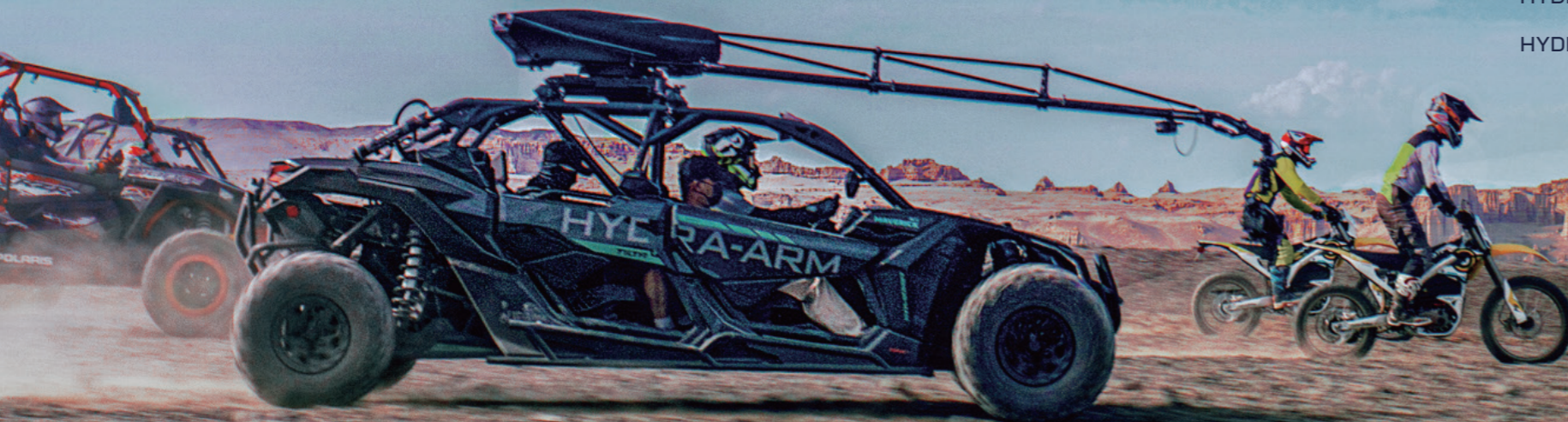
HYDRA MOTORIZED SLIDER	01
HYDRA ARM	09
HYDRA ARM MINI	13
HYDRA ALIEN CAR MOUNTING SYSTEM	19

HYDRA PREDATOR SHOCK ABSORBING ARM	23
SPEED RAIL CAR MOUNTING KIT	25

## HERMIT

---

TILTA HERMIT POV SUPPORT SYSTEM	27
---------------------------------	----





**HYDRA**  
MOTORIZED SLIDER



**Always be one step ahead on set.**

The slider comes in two parts and weighs 50 kg (110.2 lbs). The system fits into two compact cases and can be stored away in standard sized vehicles for transportation.



**Optimized performance. Exceeds limitations.**

Only four 14.8V camera batteries are needed to power the system. Four 270Wh (18600mAh) batteries can support a full day of shooting. The shock-absorbing arm and slider are made of aerospace-grade aluminum alloy and 304 stainless steel. It allows for a wide range of operating temperatures of -30°C to 50°C (-22°F to 122°F). Resilient to extreme weather such as wind, rain, and snow.



## Highly Compatible and Cohesive Design

Compatible with most major brands of shock-absorbing arms and gimbal stabilizers. Supports a wide range of options for your car shoots.

Compatible Remote Heads: Flight Head:

Movi XL

Maximus 7

Flight Head

DJI Ronin 2

Shoot Over F1

GFM Shock Absorber

Maxi Shock Absorber

ARRI SRH-3 Stabilized Remote Head

Scorpio Stabilized Remote Head 4 Axis

Mount the slider onto specialty vehicles, such as the Can-Am Maverick X3, using the shock-absorbing arm's 50mm speed rail.

## Tension Spring Shock Absorption

The shock-absorbing arm utilizes the tension spring design from the Steadicam. Results in a more linear and smoother operation.

## All-Weather Honeycomb Rubber Shock-Absorbing Head

Effectively reduces high-frequency vibrations via the new honeycomb rubber shock-absorbing block in the shock-absorbing arm. Ensures stable and smooth image regardless of temperature changes.

## Automotive-Grade Automatic Damping.

The shock-absorbing arm can be equipped with an optional upgrade that features automatic damping, derived from cutting-edge automotive technology. Achieve smoother footage with near instant dampening response.

## Perfect Solution for Specific Broadcasting Events

Official customized services by Tilta are now available.

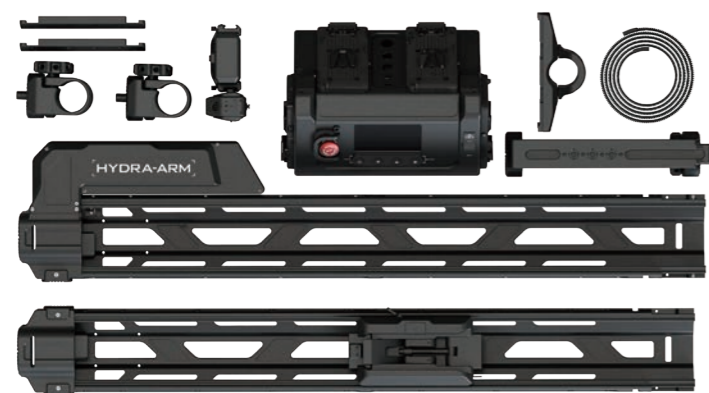
Made-to-order for shooting situations, such as live broadcasting for events like marathons and cycling.





### Shock Absorbing Arm

- DISTANCE OF TRAVEL: 450MM
- WEIGHT: 21KG (Including Packaging)
- CAPACITY: 10-30KG
- DAMPING: Adjustable Manual Damping / Automatic Magnetic Damping(Optional)



### Motorized Slider

- DISTANCE OF TRAVEL: 1.8M
- WEIGHT: 50KG (Including Packaging)
- CAPACITY: 10-30KG
- SPEED: 0.45m/S (Full Distance 4S)
- WATTAGE: 400W
- VOLTAGE: 60V/DC
- PORTS: USB-C (Firmware Update), 3B 6PIN (Power)  
Motor Ports (Power/Communication/Brake): 2B 8PIN / 2B 6PIN / 0B 6PIN





# HYDRA ARM

## HYDRA-ARM

Ergonomic design for enhanced operating experience.  
Secure setup, user friendly, and quick assembly.





Φ 24ft

## COMPATIBLE WITH VARIOUS GIMBALS

The Hydra Arm weighs 375 lb (170 kg) with a maximum payload capacity of 51 lb (23 kg). It boasts a tilt angle range of  $\pm 35$  degrees and an arm length of 23.9 ft (7.3 m). Capable of rotating 360 degrees in just 7 seconds, it offers flexibility and ease of operation. Fully compatible with various gimbals such as DJI Ronin 2, MOVI XL, and more.



# HYDRA ARM

CAR MOUNTING SYSTEM

The Hydra Arm features a built-in stabilization system, functioning much like a turret gyroscope. Its modular design is compatible with all vehicles equipped with a hard roof, ensuring quick assembly and user-friendliness.

Φ 24ft



# HYDRA-ARM MINI

CAR MOUNTING SYSTEM

## HYDRA-ARM MINI

Tilta Hydra Arm Mini is designed for compact and mobile car shoots.  
Unleash your creativity.



# HYDRA-ARM MINI

CAR MOUNTING SYSTEM

Arm Length:	152in / 387cm
Max Height:	177in / 450cm
Safe Speed:	37mph / 60km/h
Maximum Speed:	75mph / 120km/h
Vertical Travel Speed:	80° / 1.7s
Horizontal Travel Speed:	360°/7s
Maximum Payload:	22.05lbs / 10kg (including gimbal)



## PRECISE CONTROL

### REAL TIME PRESSURE MONITORING

Innovative Electronic Suction Cup Smart System

The controller monitors the suction pressure in real time, and provides a suction cup status report to guarantee the equipment's safety.



PRO GEAR WITHIN REACH

# ARM MINI RONIN 2

MODIFICATION KIT



## SHOCK ABSORBING SPRING

The original spring on the Hydra Mini Arm has a limited payload capacity. Included in the modification kit is an upgraded spring for the shock absorbing arm. This means the payload capacity of the shock arm has been increased to 8kg-13kg (17.6lb-28.6lb).



## SUPPORT CABLES

Utilize a 2-arm setup through the use of shorter support cables, which improves flexibility when filming in tight shooting environments.



## SHOCK ABSORBING HEAD

Due to the increased demand for stronger shock absorption when mounting the Ronin 2, we have replaced the original polyurethane material of the shock absorbing head with steel wire. This eliminates high-frequency vibrations, ensuring stable gimbal performance.

## MOUNT ADAPTER FOR DJI RONIN 2

In order to easily integrate the Ronin 2 with our system, we specially designed a mount adapter for it.



# HYDRA ALIEN

CAR MOUNTING SYSTEM



**STRONG & DURABLE  
ATTACHMENT**

Extremely secure mounting  
no matter what the angle.



CAR MOUNTING SYSTEM

# 8

FAST AND STEADY  
ENDLESS POSSIBILITIES



 **HYDRA-ARM**  
CAR MOUNTING SYSTEM

# HYDRA PREDATOR

SHOCK ABSORBING

The package comes with a universal quick release plate and power supply base plate for DJI Ronin.

Compatible with 3-axis gimbals such as RS2, RS 3 Pro, etc.



## Enhanced Operating

The adjustable hydraulic damping pole provides precise control over the vertical amplitude. Optimized stability provides smooth camera movement and an outstanding image.

## Product Specifications

WEIGHT: 10KG

DIMENSIONS: 480(L) x 425(W) x 224(H) mm

PAYLOAD CAPACITY: 1.5-7.5KG

MATERIALS: Aluminum Alloy + Stainless Steel + Silicone

COMPATIBLE GIMBALS: Ronin RS2/RS3 Pro (most recommended)

Feiyu AK4500, MoZa Aircross, Zhiyun Crane series.



# HYDRA

SPEED RAIL CAR MOUNTING KIT

TILTA | 



SECURE AND RELIABLE CUSTOM\_DEIGNED SUCTION SYSTEM  
For Tilta Hydra Speed Rail Car Mounting Kit

## SECURE MOUNTING

Easily connect the speed rail and the tow hook.

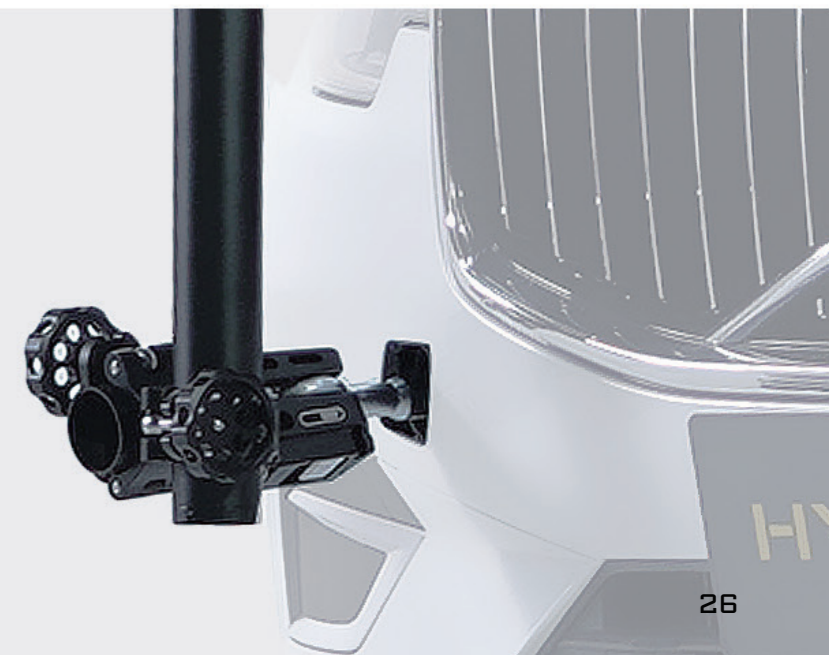
Front tow hook adapter



Safety Strap



\*Front tow hook adapter and safety strap included.





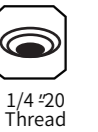


# HAERMMIT

• POV SUPPORT SYSTEM •  
Advanced Camera Helmet



SHOOT FROM A FIRST PERSON POINT OF VIEW.



The top of the helmet has a built-in cold shoe mount, as well as two 1/4"-20 and 3/8"-16 threads.

**TILTA** | OPENMOON<sup>®</sup>

---

# ADVANCED CAMERA HELMET



## ADDITIONAL ACCESSORIES COMING SOON

---

More accessories with 1/4"-20 and 3/8"-16 threads will be released soon.

They will be the perfect companion for weight distribution, compact setup, and easy assembly.

