



TILTA

STABILIZATION SYSTEMS

ARMORMAN GIMBAL
SUPPORT SYSTEM

TILTA is a registered trademark owned by Tilta Technology Co., Ltd.

Address: Tilta Inc.1901 W Magnolia Blvd,Burbank,CA 91506 United States

Tel: +1 (818) 561-4991

All copyrights belong to Tilta Technology Co. Ltd.

Written permission is needed for any reproductions.

Tilta has the right to adjust product specifications without notice.

All measurements are for reference only. Please see the actual products for more details.



www.tilta.com

ABOUT US

TILTA Technology was established in 2010, dedicated to providing high-quality photography and film equipment.

From DSLR cages to professional camera accessories, we continuously refine and develop our products, gradually evolving from a manufacturer to a comprehensive solutions provider. We have achieved outstanding results in wireless lens control, camera cages, gimbal support systems, shock-absorbing car mounts, and other fields.

After setting up our own factory in 2011, we made unremitting efforts to break into the Hollywood market with our electronic control solutions, which reached new heights in 2016. In the same year, we also established our North American branch, In April 2017, we opened our showroom in Los Angeles.

As an associate member of the American Society of Cinematographers, our collaboration with many professional cinematographers enables us to continually improve our products based on their experience and suggestions, inspiring users' imagination and providing unlimited creativity and possibilities.

The Tilta Float system has the same flexibility and mobility as expensive traditional Steadicam systems, which previously only appeared on high-budget set.

The revolutionary release of the Hydra Arm Mini provides every creator with a consumer-grade car mount shooting solution that is easy to use.

In the future, TILTA will continue to provide industry-leading products and services, creating more value for the film industry and exploring the future of the global film industry with millions of creators.



STABILIZATION SYSTEMS

ARMOR-MAN	01
FLOAT HANDHELD GIMBAL SUPPORT SYSTEM	05
FLOAT ADAPTER FOR FLOAT STABILIZING ARM	07
FLOAT TILTA FLOAT SHOULDER SUPPORT	09
LIGHTWEIGHT DUAL HANDLE GIMBAL SUPPORT SYSTEM	11
TILTA LIGHTWEIGHT SHOULDER RIG	15
TILTA ZOMBIE RIG BOOMPOLE SUPPORT SYSTEM	19

//CATALOG

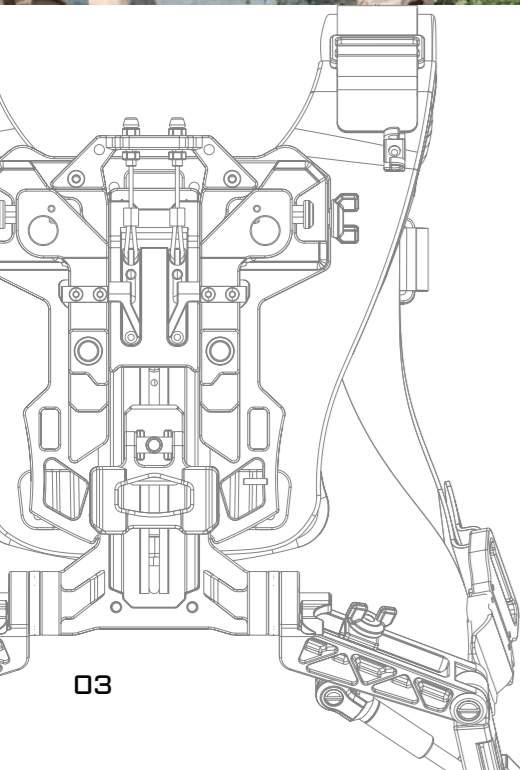


ARMOR-MAN



SHOCK ABSORBING

The Armorman 3.0 was designed to offer comfort and support while operating your gimbal by transferring the weight of the gimbal to your body's core, taking significant weight off your arms.



INCREASED COMFORT

This allows you to operate your gimbal comfortably, for a much longer period of time while not sacrificing flexibility or performance.

ARMOR-MAN-3.0

Standard packing list

- ① Armor-man 3.0 vest
- ② Armor-man 3.0 waist support (assembling required)
- ③ Mechanical arms×2
- ④ Top mounting supporter
- ⑤ Shock absorb spring rope×2
- ⑥ 3-axis gimbal adaptor×2
- ⑦ Mechanical arm fixing knob×2
- ⑧ Top mounting rod clamp×2
- ⑨ Side mounting rod clamp×2
- ⑩ Parking frame



FLOAT

HANDHELD GIMBAL SUPPORT SYSTEM



TILTA



DESIGNED FOR MOBILE SHOOTING

FLOAT HANDHELD GIMBAL SUPPORT SYSTEM

Durable and flexible • Masterful movement

Name:	Tilta Float Handheld Gimbal Support System
Number:	GSS-T01-V
Weight:	48 lbs
Dimensions:	35 x 10 x 18 inches
Materials:	Aluminum alloy, stainless steel, carbon fiber, plastic, and nylon fabric



FLOAT

ADAPTER FOR FLOAT STABILIZING ARM



QUICK RELEASE LOCKING TOGGLE

For securing the quick release plate. Loosen the locking toggle to adjust the center of gravity.



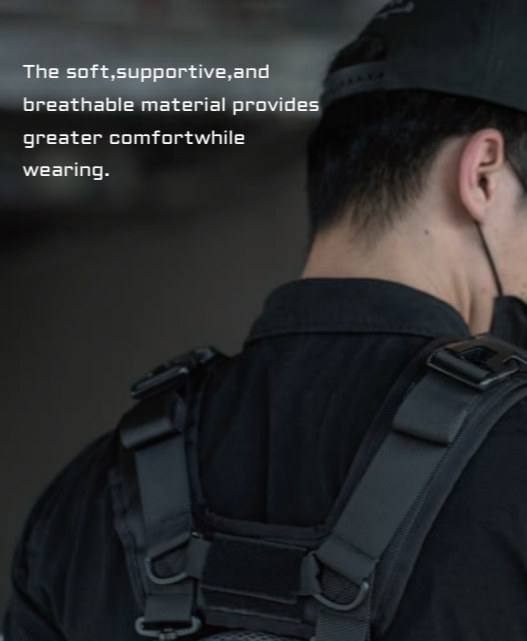
BALL HEAD TIE DOWN

Loosen the tie down to adjust the level of the ball head.

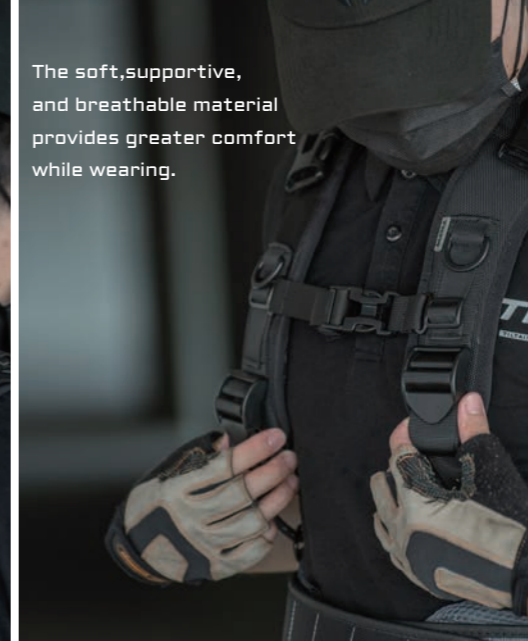


FLOAT

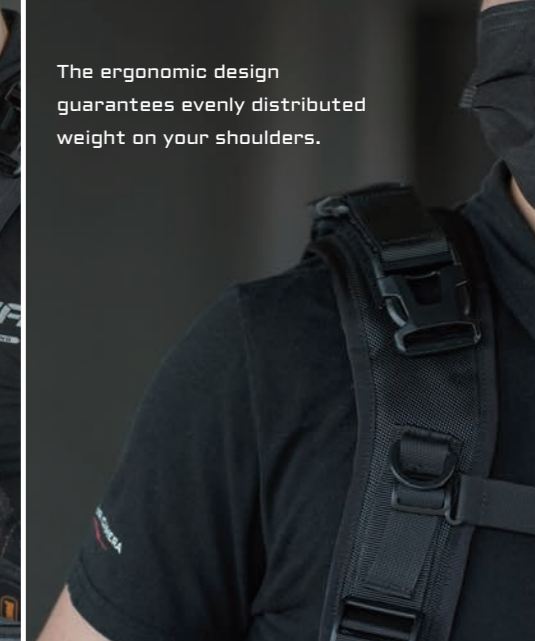
TILTA FLOAT SHOULDER SUPPORT



The soft, supportive, and breathable material provides greater comfort while wearing.



The soft, supportive, and breathable material provides greater comfort while wearing.



The ergonomic design guarantees evenly distributed weight on your shoulders.



LIGHTWEIGHT DUAL HANDLE GIMBAL SUPPORT SYSTEM



UNIQUE TACTICAL STYLE



ERGONOMIC DESIGN
SLIM FITTING



QUICK RELEASE



COMFORTABLE FITTING

Meshed design for ventilation. Wearproof and breathable fabric. Evenly distributed pressure while wearing.

10KG
Maximum Payload



SAFETY BUTTON
Prevents the vest from falling off

EXPANSION STRAP
For attaching small tripod and tools.

NATO RAIL
Allows for vertical adjustment.



QUICK RELEASE BUCKLE
Supports adjustment on both ends to fit all body types. Waistline range 85-130cm.

D-RING

NATO TO 1/4"-20 MOUNTING BRACKET FOR GIMBAL SUPPORT VEST
For adjusting vertical positioning.



190g RUGGED AND LIGHTWEIGHTED

rugged and lightweight aluminum material for secure support.



READY FOR EXPANSIONS

Multiple built-in 1/4"-20 screw holes and cold shoe mounts for mounting monitor bracket, phone bracket, etc.



BATTERY HANDLE ADAPTER
Holds DJIRS2/RS3 battery grip. Reserved space for charging battery.

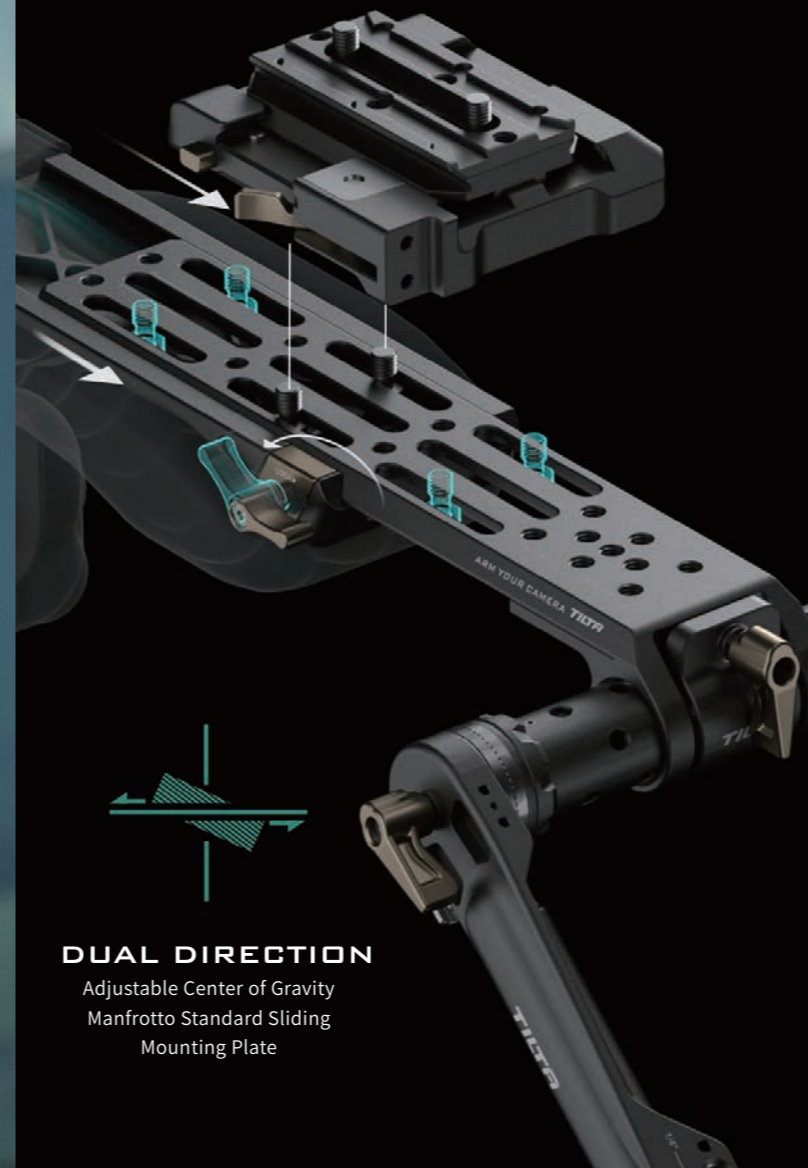


EXTENDED GRIP TRIPOD ADAPTER
Holds tripods in 34-37mm circumference.



- | | | | | | |
|---|--|--|---|---|---|
|  | Dual Handle Bracket for DJi Ronin - Left ×1 |  | Waist Vest for Gimbal Support Vest ×1 |  | Battery Handle Adapter for Gimbal Support Vest ×1 |
|  | Dual Handle Bracket for DJi Ronin - Right ×1 |  | Travel Bag for Dual Handle Bracket ×1 |  | Extended Grip Tripod Adapter for Gimbal Support Vest ×1 |
|  | Shoulder Support for Gimbal Support Vest ×1 |  | NATO to 1/4"-20 Mounting Bracket for Gimbal Support Vest ×1 |  | 1/4-20 Strap Ring for Gimbal Support Vest ×1 |

LIGHTWEIGHT SHOULDER RIG



DUAL DIRECTION

Adjustable Center of Gravity
Manfrotto Standard Sliding
Mounting Plate

3D

Ergonomic Design
Comfortable Operation

For Left & Right Shoulders
Shock-Absorbing Design
Velcro for Quick Assembly

Quick Assembly & Switching



LIGHTWEIGHT SHOULDER RIG



NEW OPERATING EXPERIENCE

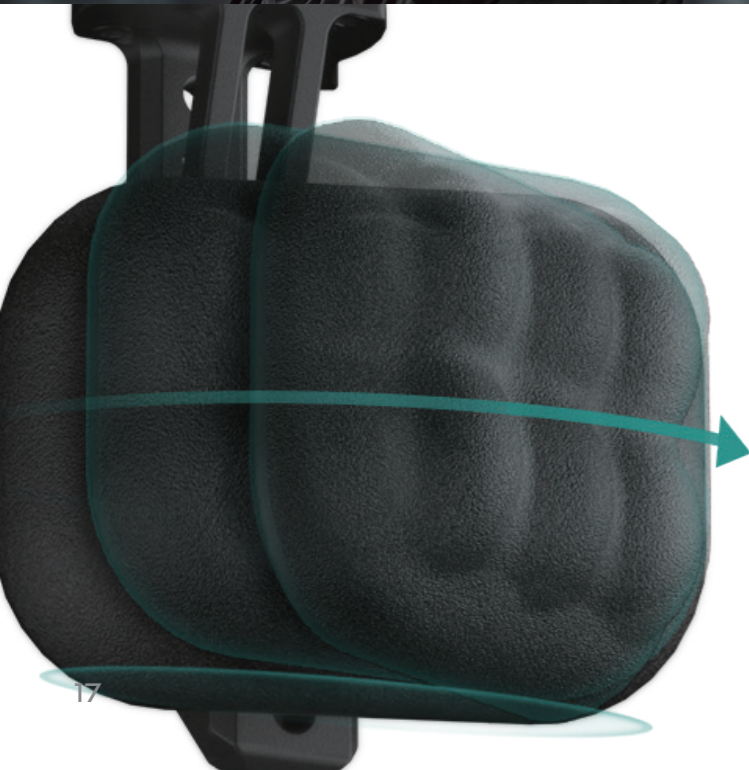
Custom-made handle extension and monitor extension cable for mounting DJI Ronin 4D.



PRODUCT SPECIFICATIONS

PRODUCT NAME	Lightweight Shoulder Rig
SKU	TA-LSR-B
MATERIALS	Aviation Grade Aluminum Alloy
WEIGHT	1.7KG

- ① 500G Counterweight
- ② Tilting ARCA Manfrotto Dual Baseplate
- ③ Tilting ARCA Manfrotto Dual Quick Release Plate
- ④ Tilting Lightweight Shoulder Rig
- ⑤ Tool Kit



20°

ERGONOMIC ROTATION

Support the shoulder rig with the aid from the rear shoulder support pad. Redistribute the weight on the operator's hands.



Mount adjustable battery plate to the back end of the rods.

Add counterweights to adjust center of gravity.



VERSATILE SUPPORT FOR AUDIO PROFESSIONALS

The support pole features a baby pin receiver, allowing users to use it on either a mixer bag or a C-stand, preventing muscle fatigue during extended use.



90°

PRECISE OPERATION WITH EASY ADJUSTMENT

Featuring a universal joint design and a 90-degree pole transmission structure, it allows for seamless adjustments of microphone direction and pickup distance, offering an effortless operational experience and doubling efficiency.

STABLE & WELL-BALANCED

Equipped with a protective component for the XLR port featuring a 1/4"-20 thread for extension, facilitating the installment of a counterweight to fine-tune the system balance.



ZOMBIE RIG

REVOLUTIONIZING
FILM & TV SOUND

TILTA ZOMBIE RIG BOOMPOLE SUPPORT SYSTEM

FLEXIBLE STORAGE & EASY ACCESS

With its modular design, the Tilta Zombie Rig System can be disassembled and efficiently stored, occupying less than 1 meter in length. It also includes a complimentary transportation bag, ensuring simplicity and ease in transportation or carrying.

COMPATIBLE WITH A VARIETY OF BOOM POLE OPTIONS

Effortlessly adapts to various pole models through the use of differently sized shims, ensuring seamless compatibility with poles from different brands.



PRODUCT NAME: Tilta Zombie Rig Boompole Support System

SKU: TA-ZR

STORAGE LENGTH: 1M

PRODUCT DIMENSIONS: 590*390*118mm

NET WEIGHT: 2.4KG

MATERIAL: Aluminum Alloy/Carbon Fiber/Polyurethane

