

TILTA EXTENDABLE SHOULDER PAD BASEPLATE FOR CAMCORDERS

铁头 摄录一体机肩托

TILTA

DISCLAIMER

01

Thank you for purchasing TILTA products.

Before using this product, please carefully read this document to ensure that the product has been set up correctly. The final interpretation of this document and all related documents for this product belongs to TILTA. For updates, please visit the official website at www.tilta.com for the latest product information.

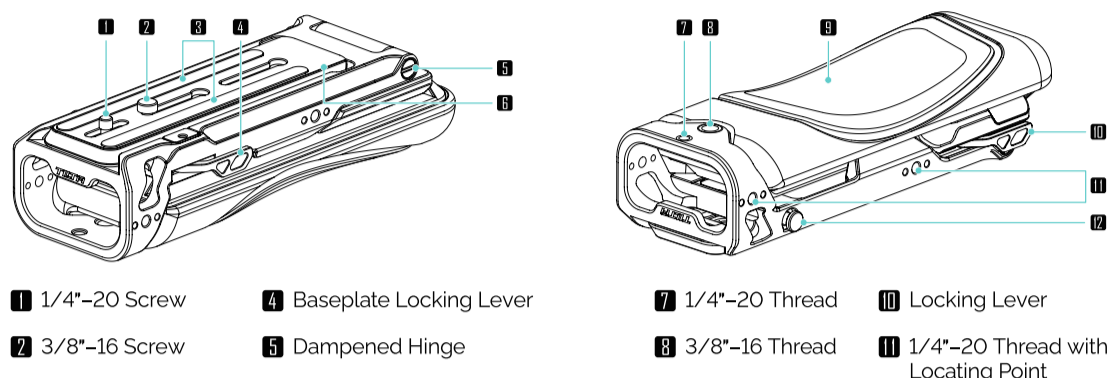
TILTA reserves the right to modify any information in this manual at any time without prior notice and without assuming any responsibility.

By using this product, you are deemed to have carefully read the disclaimer and warnings, understood, agreed, and accepted all the terms and content of this statement. You promise to take full responsibility for the use of this product and any consequences that may arise. You commit to using this product only for legitimate purposes and agree to these terms as well as any related regulations, policies, and guidelines set by TILTA.

TILTA is not responsible for any damages, injuries, or legal liabilities caused directly or indirectly by the use of this product. Users should follow all safety guidelines mentioned in this document, including but not limited to those mentioned.

OVERVIEW

02



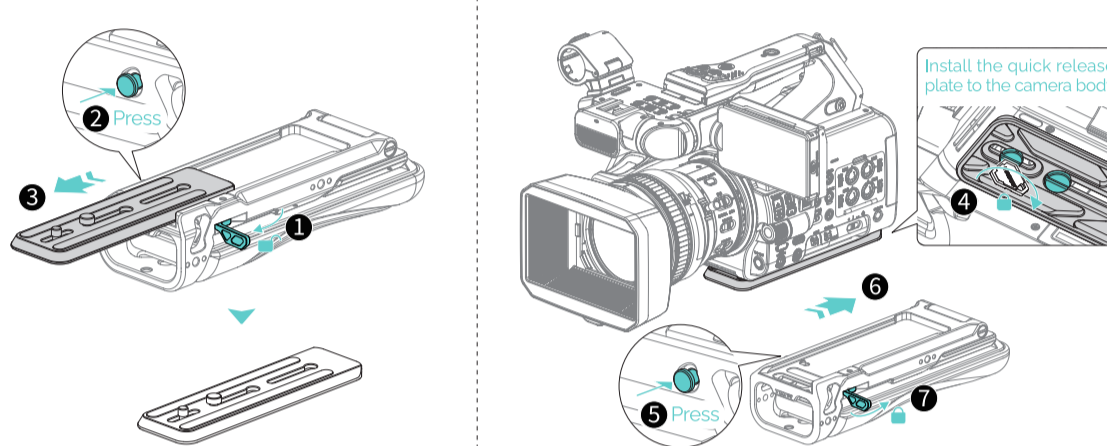
- 1 1/4"-20 Screw
- 4 Baseplate Locking Lever
- 7 1/4"-20 Thread
- 10 Locking Lever
- 2 3/8"-16 Screw
- 5 Dampened Hinge
- 8 3/8"-16 Thread
- 11 1/4"-20 Thread with Locating Point
- 3 Protective Padding
- 6 Manfrotto Quick Release Plate
- 9 Shoulder Pad
- 12 Safety Button

SPECIFICATIONS

- SKU: TA-ESB-B
- WEIGHT: 804.5g
- DIMENSIONS: 229.1×80.3×60.1mm
- MATERIALS: Aluminum Alloy+SUS304+Silicone+PU+POM

ASSEMBLING THE CAMERA AND THE SHOULD PAD

03

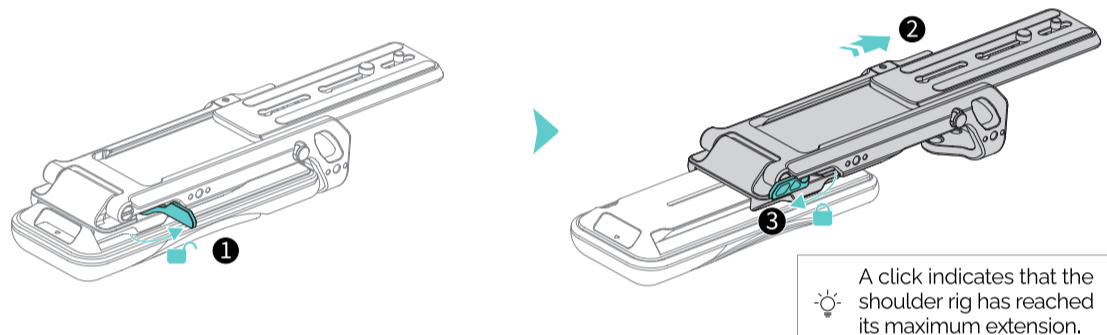


ADJUSTMENT AND OPERATION

04

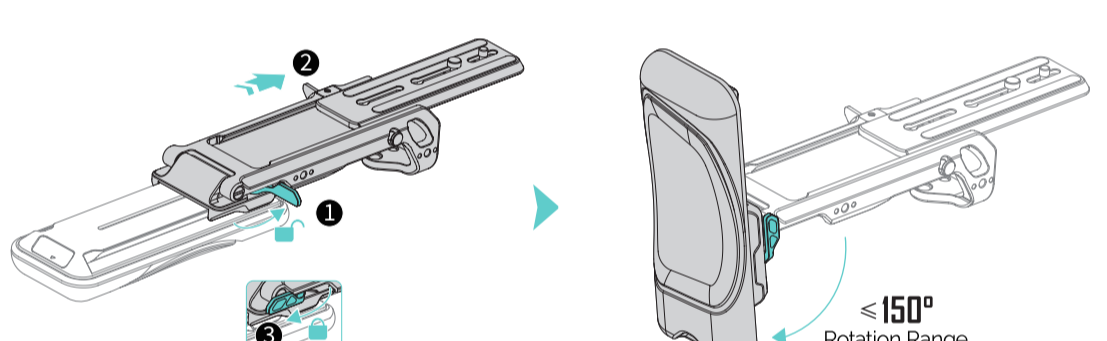
1. Shoulder Operation Mode

Push the camera to the desired shoulder position, then tighten the locking lever.



2. Chest Level Operation Adjustment

Push the shoulder pad to the maximum extension, then tighten the locking lever.



免责声明

05

感谢您购买TILTA产品。

使用本产品之前,请仔细阅读本文以确保已对产品进行正确的设置。本文档及本产品所有相关的文档最终解释权归TILTA所有。如有更新,请访问www.tilta.com官方网站获取最新的产品信息。TILTA保留随时修改本手册中任何信息的权利,无需提前通知且不承担任何责任。

一旦使用本产品,即视为您已仔细阅读免责声明与警告,理解、认可和接受本声明全部条款和内容。您承诺对使用本产品以及可能带来的后果负全部责任。

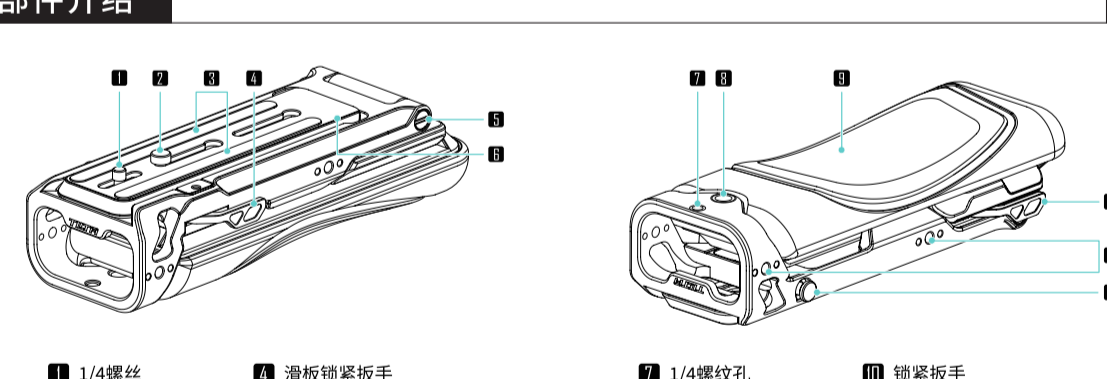
您承诺仅出于正当目的使用本产品,并且同意本条款以及TILTA制定的任何相关条例、政策和指引。TILTA对于直接或间接使用本产品而造成的损坏、伤害以及任何法律责任不予负责。用户应遵循包括但不限于本文提及的所有安全指引。

即使存在上述规定,消费者权益依然受当地法律法规所保障,并不受本免责声明影响。

TILTA是深圳市铁头科技有限公司及其关联公司的商标。本文出现的产品名称、品牌等均为其所属公司的商标或注册商标。

部件介绍

06



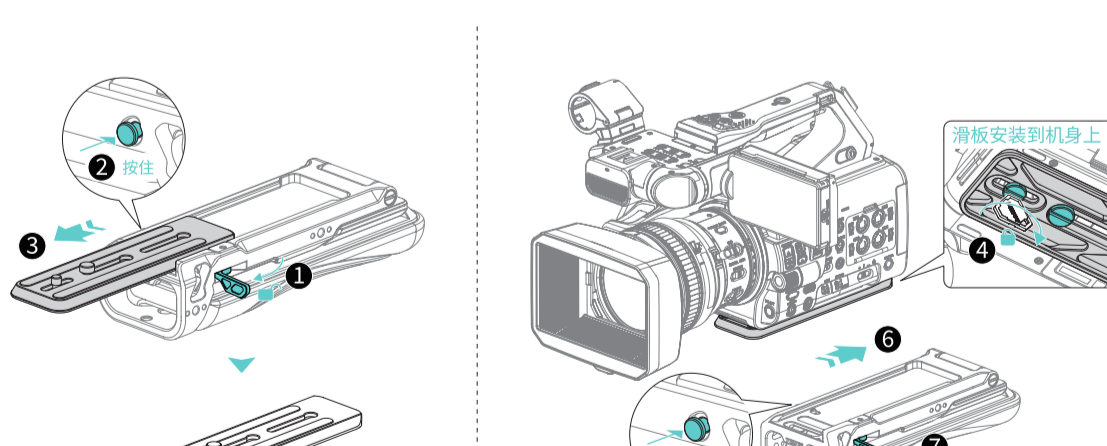
- 1 1/4螺丝
- 4 滑板锁紧扳手
- 7 1/4螺纹孔
- 10 锁紧扳手
- 2 3/8螺丝
- 5 阻尼转轴
- 8 3/8螺纹孔
- 11 1/4定位螺纹孔
- 3 硅胶保护垫
- 6 曼富图规格滑板
- 9 PU肩垫
- 12 防脱解锁按钮

规格参数

- 型号: TA-ESB-B
- 尺寸: 229.1×80.3×60.1mm
- 重量: 804.5g
- 主要材质: 铝合金+SUS304+硅胶+PU+POM

安装摄影机到肩托上

07

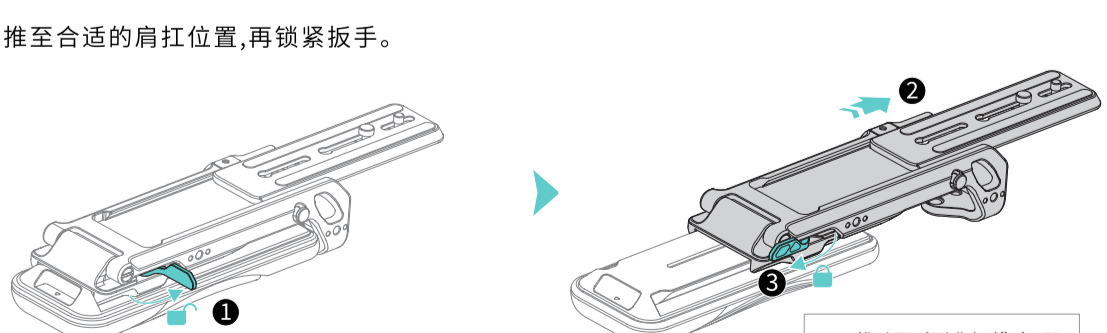


调节与使用

08

(一) 肩扛模式

推至合适的肩扛位置,再锁紧扳手。



(二) 胸顶角度调节模式

推至最远限位位置,再锁紧扳手。

