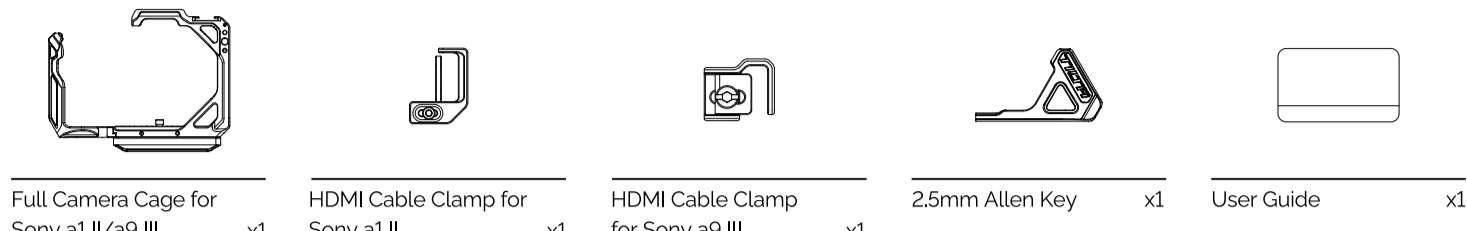


FULL CAMERA CAGE FOR SONY A1 II/A9 III

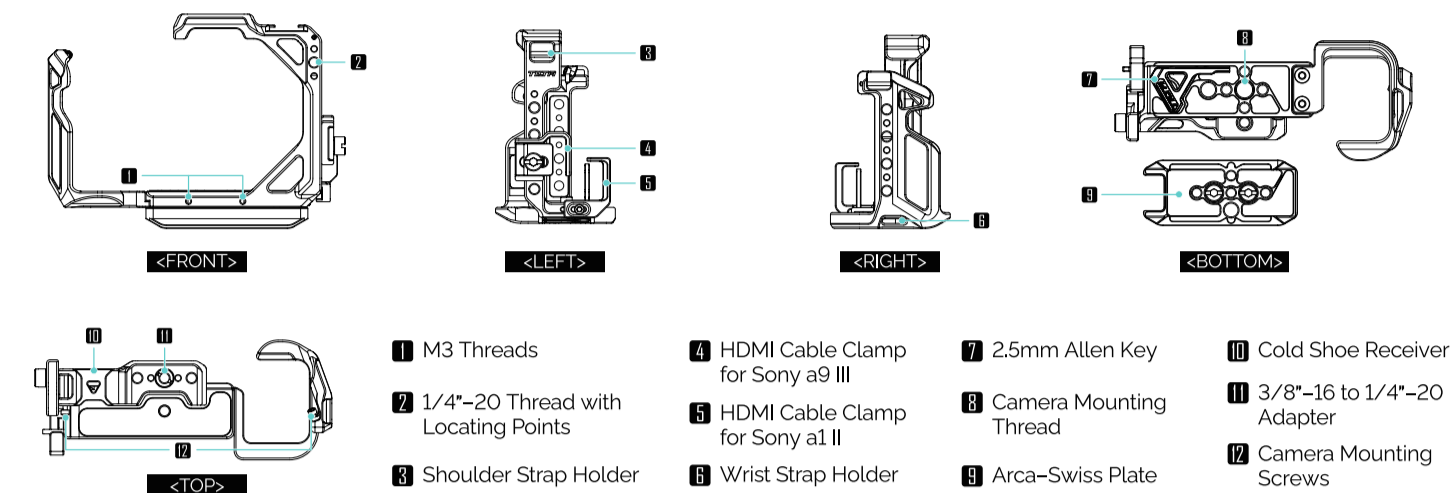
01 [DISCLAIMER]

Thank you for purchasing a TILTA product. Before using this product, please read this document carefully to ensure proper setup. TILTA reserves the right of final interpretation regarding this document and all related product documentation. For updates, visit www.tilta.com to obtain the latest product information. TILTA reserves the right to modify any information in this manual at any time without prior notice and without liability. By using this product, you acknowledge that you have read, understood, and agreed to all terms and conditions outlined in this disclaimer and warnings. You accept full responsibility for any consequences arising from the use of this product. You agree to use this product solely for legitimate purposes and to comply with these terms, as well as any applicable regulations, policies, and guidelines established by TILTA. TILTA shall not be liable for any direct or indirect damage, injury, or legal consequences resulting from the use of this product. Users must adhere to all safety guidelines, including but not limited to those mentioned in this document. Notwithstanding the above, consumer rights remain protected under applicable local laws and regulations and are not affected by this disclaimer. TILTA is a trademark of Shenzhen TILTA Technology Co., Ltd. and its affiliates. All product names, brands, and logos referenced herein are trademarks or registered trademarks of their respective owners.

02 [PACKING LIST]



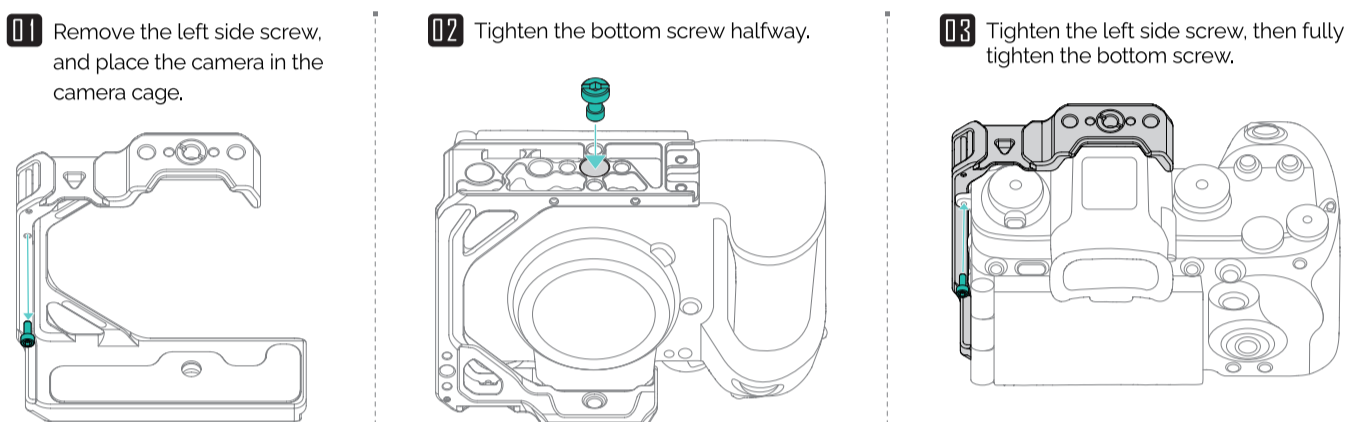
03 [OVERVIEW - FULL CAMERA CAGE]



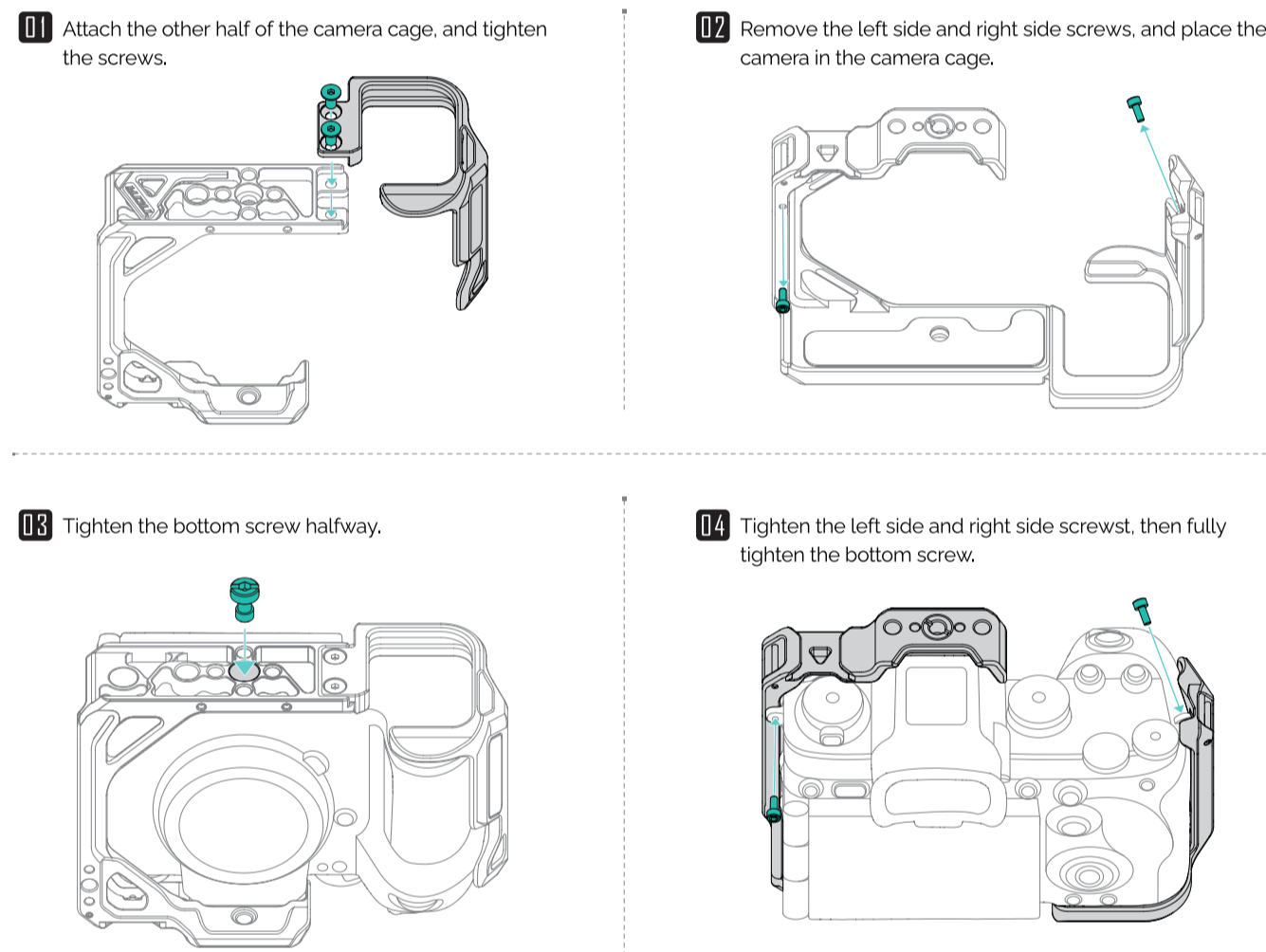
SPECIFICATIONS	
• SKU : TA-T66-FCC	• DIMENSIONS : 154.4*73.7*129.6mm
• WEIGHT : 209g	• MATERIALS : Aluminum Alloy + SUS304 + Silicone

04 [SWITCHING BETWEEN THE FULL AND HALF CAMERA CAGE]

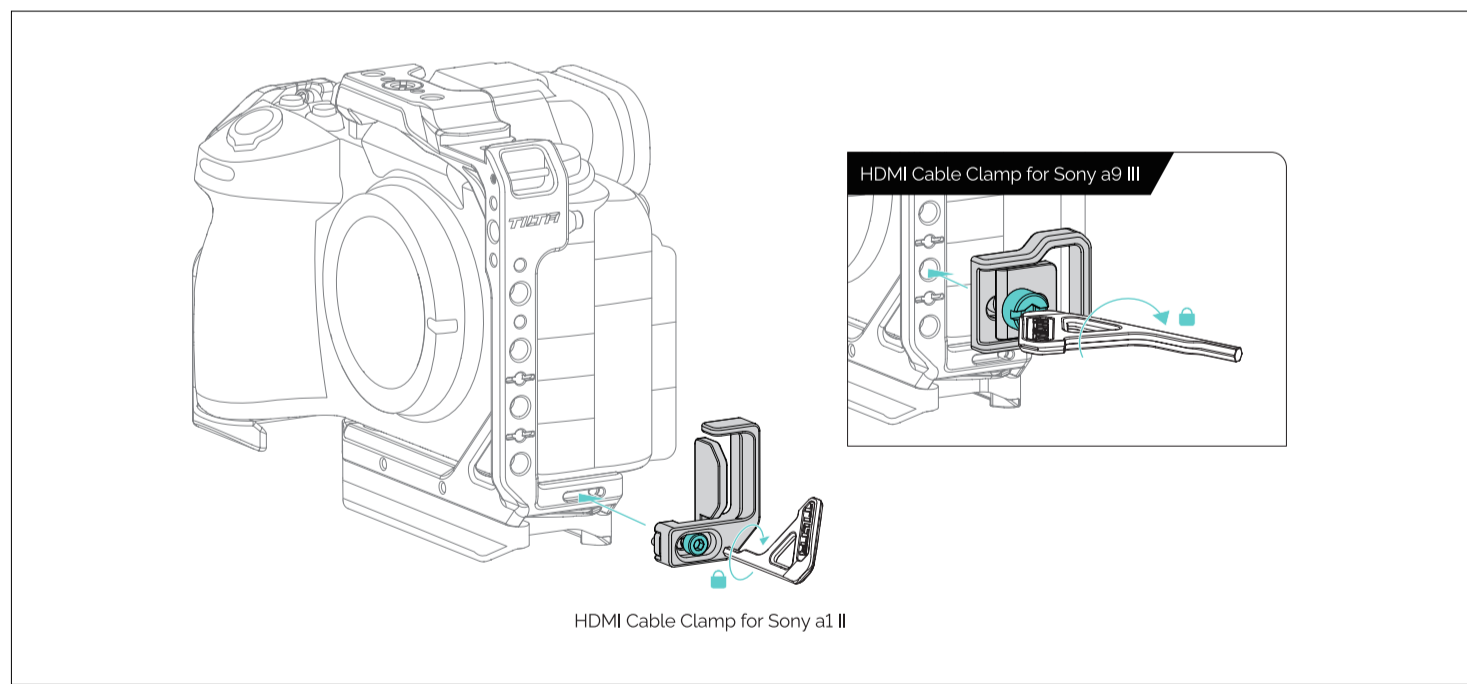
ASSEMBLING THE HALF CAMERA CAGE



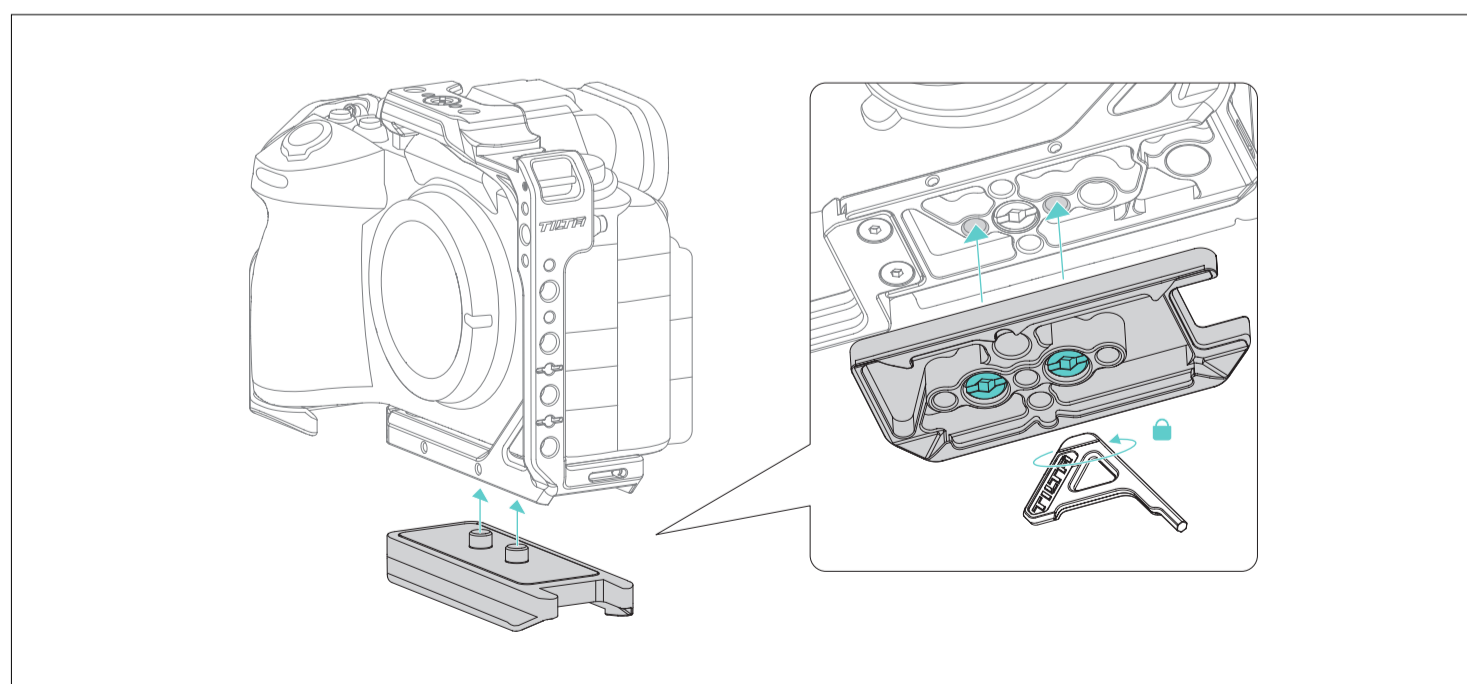
ASSEMBLING THE FULL CAMERA CAGE



05 [ASSEMBLING THE CABLE CLAMP]

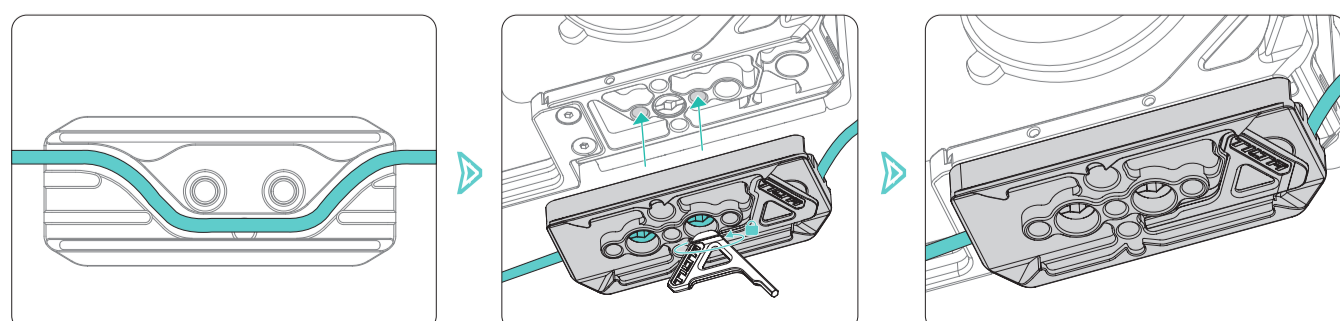


06 [ASSEMBLING THE ARCA-SWISS PLATE]



07 [ASSEMBLING THE ARCA BOTTOM PLATE WITH CABLE PASSTHROUGH (TA-T66-ABP) (OPTIONAL)]

1. Attach the cable to the bottom plate with cable passthrough.
2. Attach the plate to the bottom of the camera, and tighten the screw.

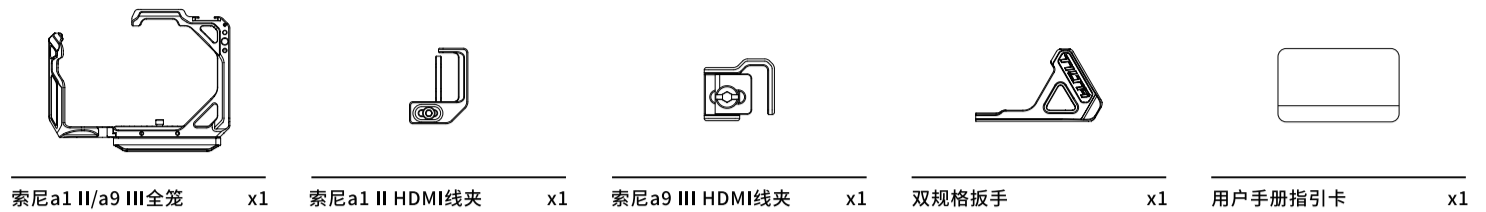


FULL CAMERA CAGE FOR SONY A1 II/A9 III

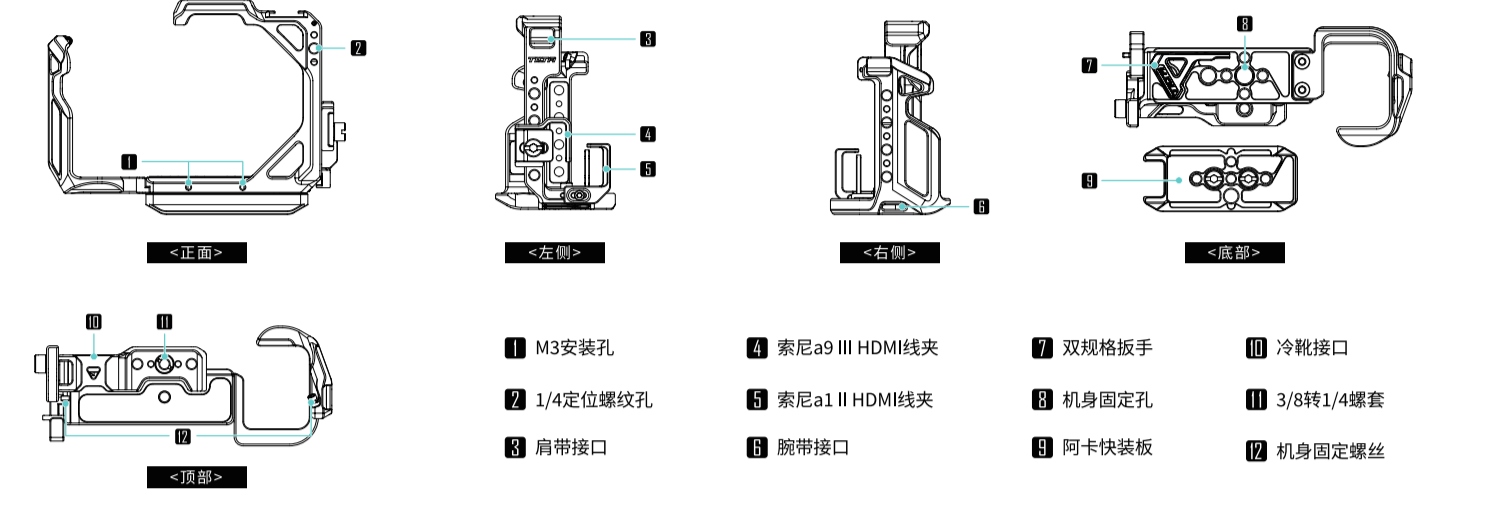
01 [免责声明]

感谢您购买TILTA产品。
 使用本产品之前,请仔细阅读本文以确保已对产品进行正确的设置。本文档及本产品所有相关的文档最终解释权归TILTA所有。如有更新,请访问www.tilta.com官方网站获取最新的产品信息。TILTA保留随时修改本手册中任何信息的权利,无需提前通知且不承担任何责任。
 一旦使用本产品,即视为您已经仔细阅读免责声明与警告,理解、认可和接受本声明全部条款和内容。您承诺对使用本产品以及可能带来的后果负全部责任。您承诺仅出于正当目的使用本产品,并且同意本条款以及TILTA制定的任何相关条例、政策和指引。TILTA对于直接或间接使用本产品而造成的损坏、伤害以及任何法律责任不予负责。用户应遵循包括但不限于本文提及的所有安全指引。
 即使存在上述规定,消费者权益依然受当地法律法规所保障,并不受本免责声明影响。
 TILTA是深圳市铁头科技有限公司及其关联公司的商标。本文出现的产品名称、品牌等均为其所属公司的商标或注册商标。

02 [物品清单]

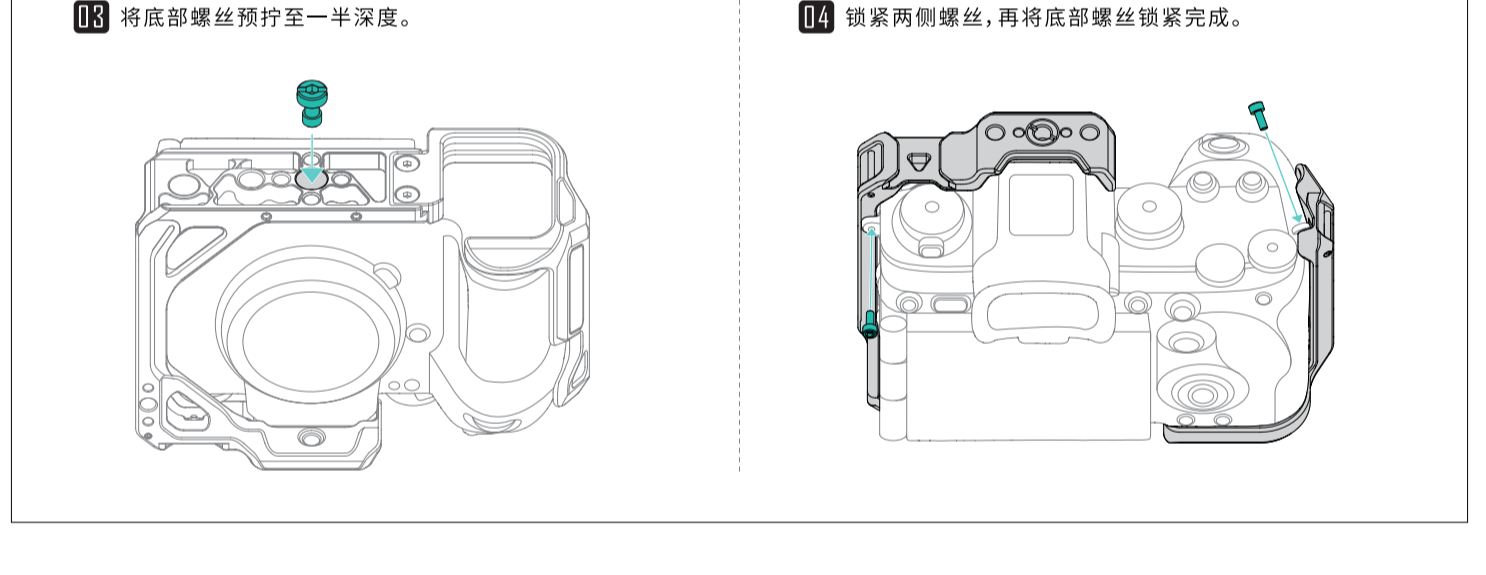
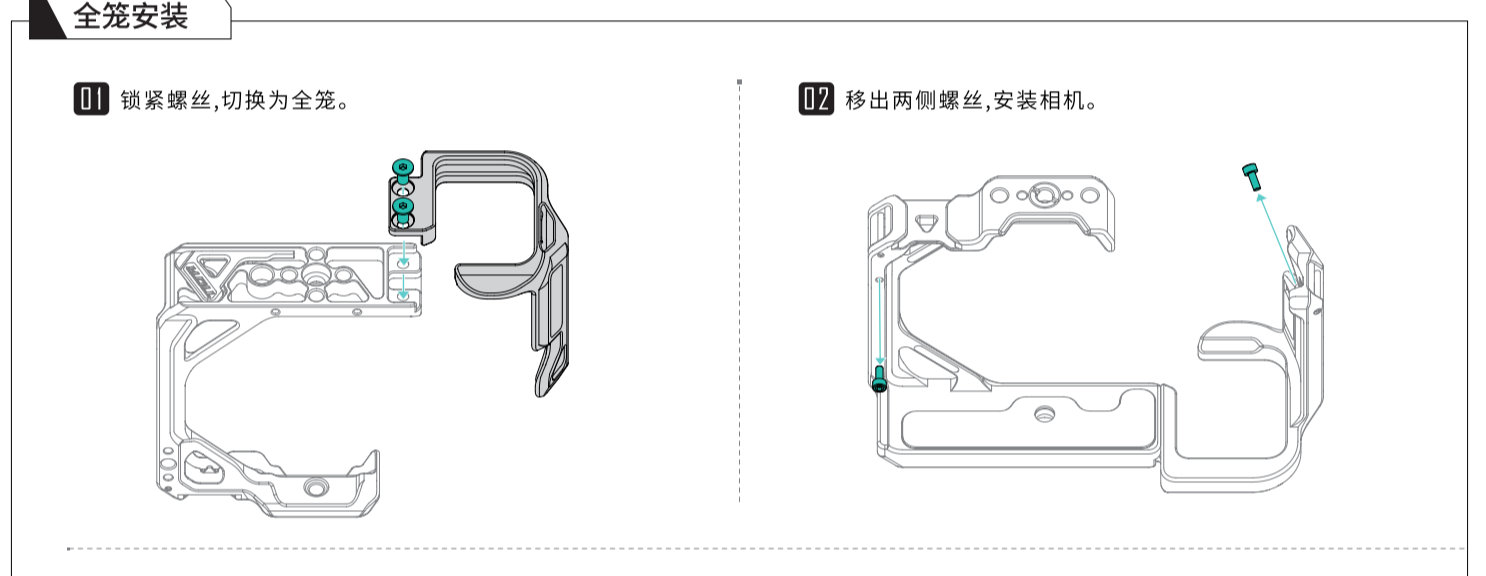
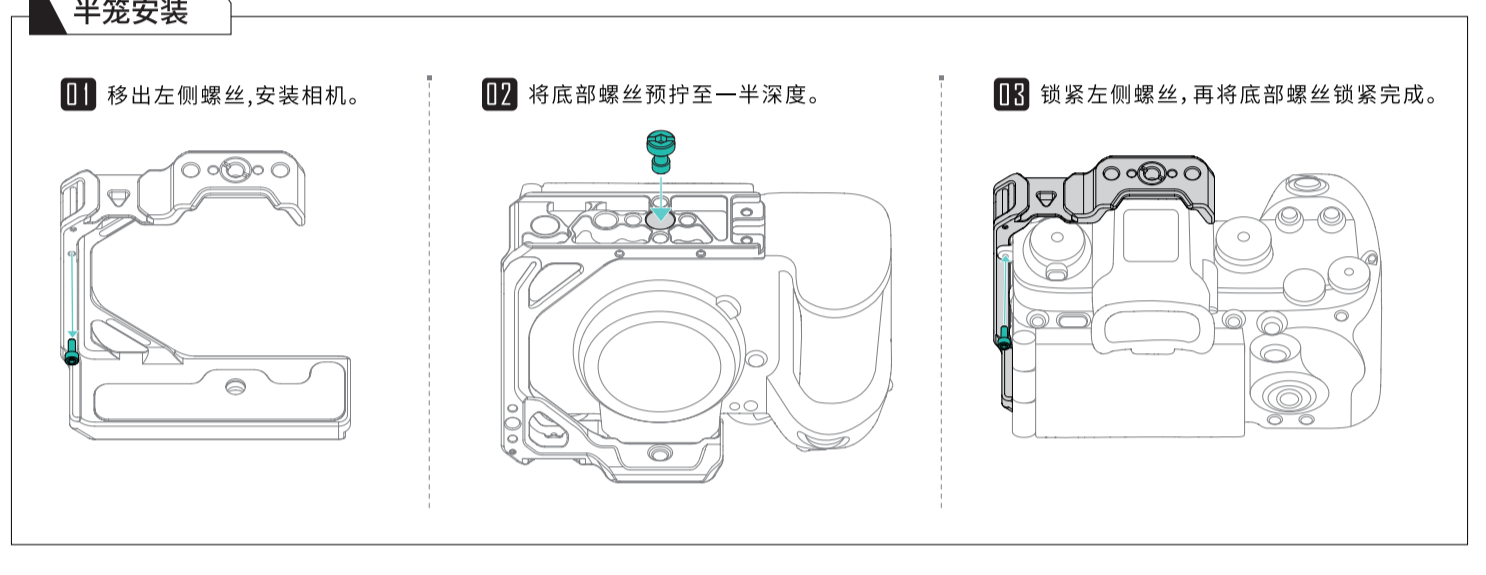


03 [全笼介绍]

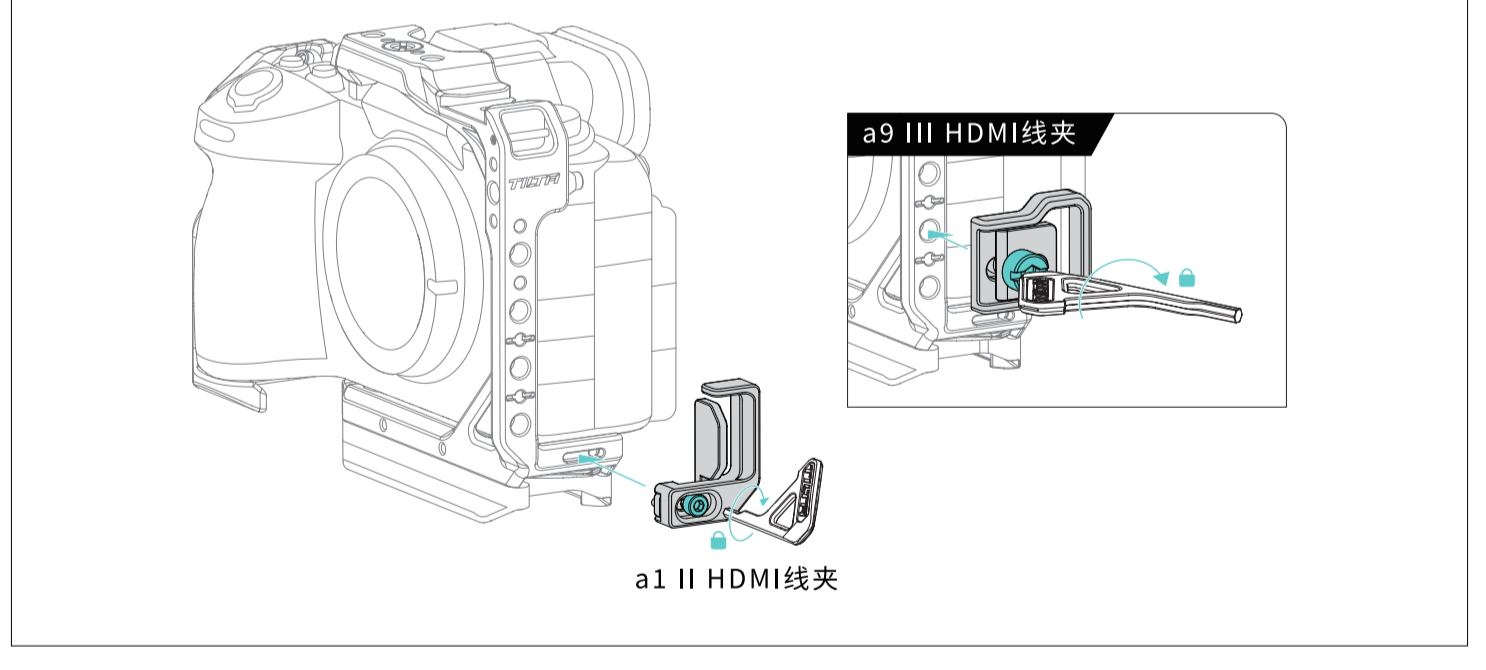


规格参数	• 型号: TA-T66-FCC	• 尺寸: 154.4×73.7×129.6mm	• 重量: 209g	• 主要材质: 铝合金 + SUS304+硅胶
-------------	------------------	--------------------------	------------	-------------------------

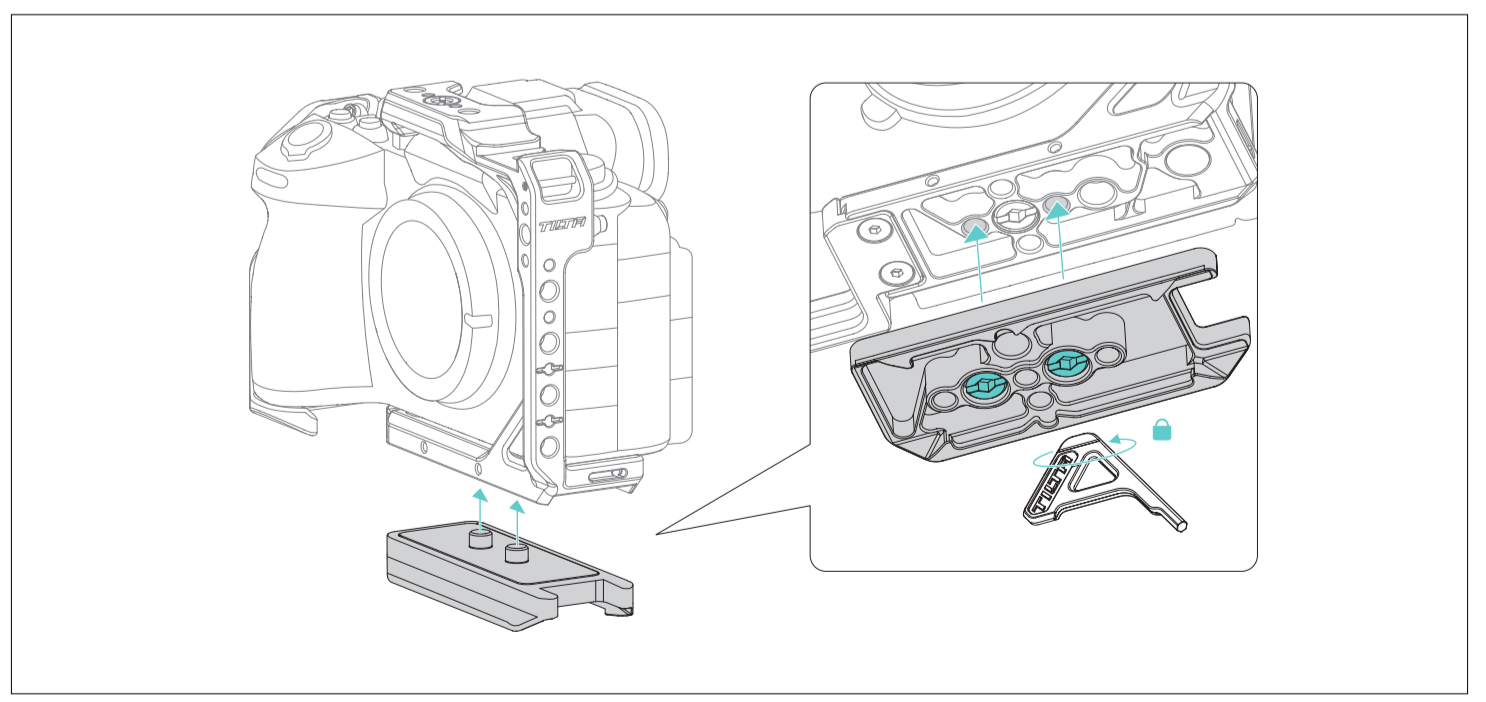
04 [半笼-全笼自由切换]



05 [安装线夹]



06 [安装阿卡快装板]



07 [阿卡快装板切换为阿卡规格理线底板 (选配) (TA-T66-ABP)]

