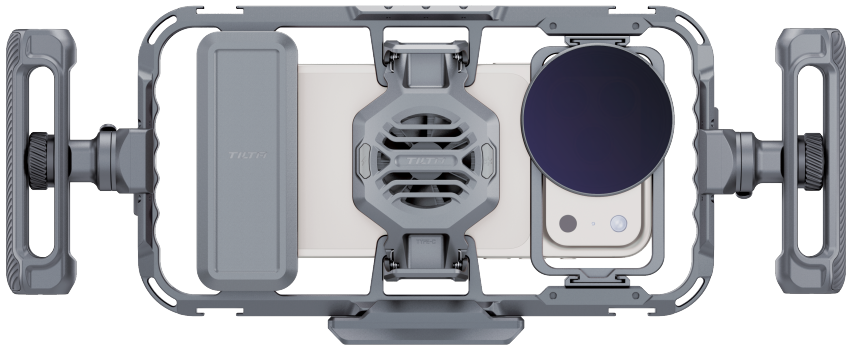


KHRONOS



Khronos Universal Smartphone Case User Guide
通用手机拓展框拓展套件-使用指南

TABLE OF CONTENTS

Disclaimer	01	Installing the Handle to the Phone Case	12
Precautions	02	Rotating the Handle	12
Product Specifications	02	Vertical Shooting Setup	13
Khronos Universal Smartphone Case with Cooling System	03	USB-C Hub	14
Introduction	03	Introduction	14
Cooling Unit Instructions	04	Installing the USB-C Hub to the Phone Case	15
Installing the Smartphone to the Phone Case	05	NATO to Arca Adapter	16
Left & Right Cold Shoe Thumb Brackets	06	Installing the NATO to Arca Adapter to the Phone Case	16
Installing the Cold Shoe Thumb Bracket	06	Electrical Specifications	17
Khronos Magnetic 58mm Filter Tray Holder for Universal Smartphone Case	07	Warranty	18
Introduction	07		
How to Use the Filter	08		
Khronos Adjustable NATO Handle	11		
Introduction	11		

目录

免责声明	19	安装手柄到通用框主体上	30
注意事项	20	旋转手柄	30
产品参数	20	竖拍	31
认识通用拓展框主体-散热版	21	认识拓展坞	32
部件介绍	21	部件介绍	32
散热器制冷说明	22	安装拓展坞到通用框主体上	33
安装手机到通用框主体上	23	认识NATO转阿卡快装底板	34
认识左右冷靴指柄	24	安装NATO转阿卡快装底板到通用框主体上	34
安装冷靴指柄到通用框主体上	24	电气性能表	35
认识58mm磁吸滤镜拓展框	25	保修说明	36
部件介绍	25		
滤镜使用说明	26		
认识NATO规格旋转快拆手柄	29		
部件介绍	29		

DISCLAIMER

Thank you for purchasing TILTA products.

Before using this product, please carefully read this document to ensure that the product has been set up correctly. The final interpretation of this document and all related documents for this product belongs to TILTA. For updates, please visit the official website at www.tilta.com for the latest product information.

TILTA reserves the right to modify any information in this manual at any time without prior notice and without assuming any responsibility.

By using this product, you are deemed to have carefully read the disclaimer and warnings, understood, agreed, and accepted all the terms and content of this statement. You promise to take full responsibility for the use of this product and any consequences that may arise. You commit to using this product only for legitimate purposes and agree to these terms as well as any related regulations, policies, and guidelines set by TILTA.

TILTA is not responsible for any damages, injuries, or legal liabilities caused directly or indirectly by the use of this product. Users should follow all safety guidelines mentioned in this document, including but not limited to those mentioned.

Despite the above provisions, consumer rights are still protected by local laws and regulations and are not affected by this disclaimer.

PRECAUTIONS

- Do not allow sharp objects to come into contact with the device surface to prevent scratches or marks.
- Minimize exposure to water and chemicals (such as perfume and cleaning agents). If contact occurs, wipe it dry promptly.
- Do not subject the device or its accessories to strong impacts or drops, as this may damage the device and its internal components, leading to malfunction.
- Store the device in a dry and well-ventilated environment. Recommended storage humidity: $\leq 40\%$ RH (relative humidity).
- In high-temperature environments, pay attention to the device temperature and avoid prolonged high-load operation.
- The cooling device may generate slight warmth during operation, which is normal.

PRODUCT SPECIFICATIONS

Materials: Aluminum Alloy + Silicone

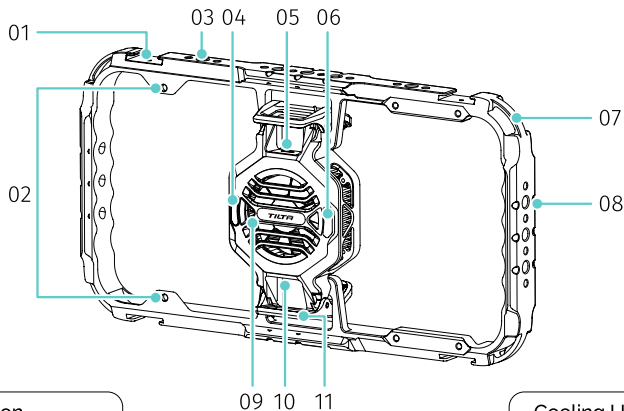
Color: Space Gray

KHRONOS UNIVERSAL SMARTPHONE CASE WITH COOLING SYSTEM

(The smartphone case kit does not come with the cooling system.)

Introduction

- 01. Cold Shoe Receiver
- 02. Expansion Mounting Point
- 03. 1/4"-20 Thread with Locating Points
- 04. Power Button
- 05. Indicator
- 06. Cooling Button




- 07. Shoulder Strap Holder
- 08. NATO Rail
- 09. Cooling Vent
- 10. USB-C Port (PD Input 9V)
- 11. Back Clip

Cooling Unit Button Function



Power Button

Single press: power on/off
In standby mode, the indicator light appears light blue. 



The cooling unit requires an external power supply.




Cooling Unit Button Function



Cooling Button

Single press to switch cooling level.
Level 1 (blue), level 2 (purple),
level 3 (red).

Cooling unit instructions

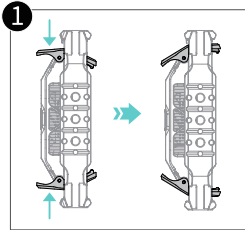
Cooling Level	Indicator	Cooling Intensity	Power	Noise Level	Smart Temperature Functions	Minimum Cooling Temperature (at 25°C Ambient)	Freezing Time
Level 1	Blue 	Normal	18~27W	Low	Smart Temperature Control Cooling	5°C±1°C	Does Not Freeze
Level 2	Purple 	Moderate	20~27W	Adaptive	Smart Temperature Control Cooling Smart Fan Speed Adjustment		
Level 3	Red 	Intense	27W	High	None	-7°C±1°C	Approximately 40S

NOTE: At an ambient temperature of 25°C or below, ice forms approximately 40 seconds after 2 minutes of operation on Cooling Level 3. Freezing time and performance may vary based on environmental conditions.

Installing the smartphone to the phone case

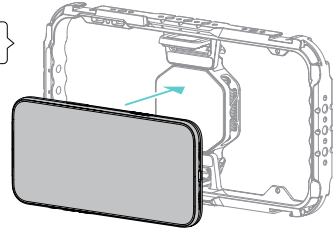
- (1) Squeeze the back clips to open the clamps on both sides of the phone case.
- (2) Place the phone into the mounting area and release the clamps to their resting positions, ensuring the phone is fully secured and installation is complete.

Back Clip Clamping Angle Range: 70°–92°
(See the example of the smartphone case with cooling system)



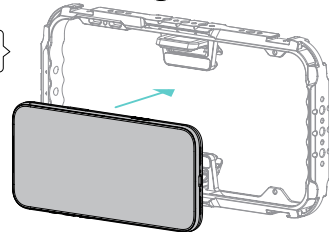
With Cooling System

NOTE: The smartphone case with cooling system has a built-in magnetic attachment. It's compatible with phone's with magnetic functions.



2

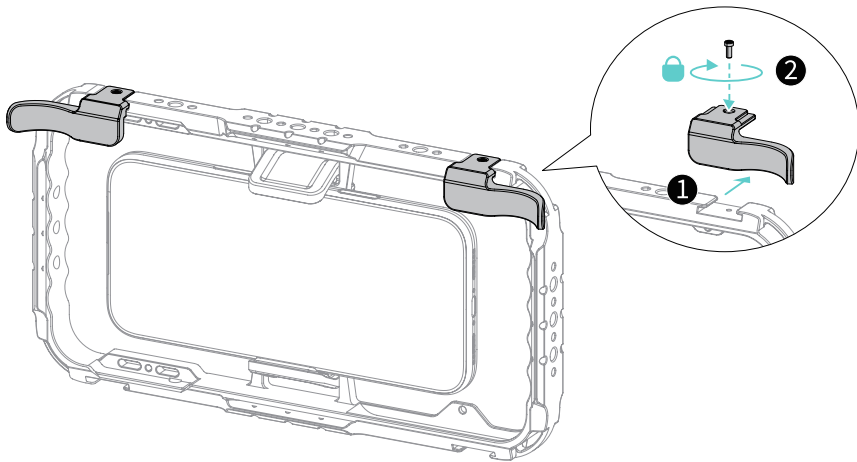
Smartphone Case



LEFT & RIGHT COLD SHOE THUMB BRACKETS

Installing the cold shoe thumb brackets

Slide the cold shoe thumb bracekts into the receivers on the phone case. Tighten the screws.



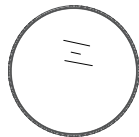
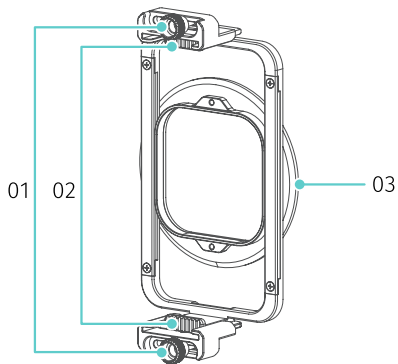
KHRONOS MAGNETIC 58MM FILTER TRAY HOLDER FOR UNIVERSAL SMARTPHONE CASE

Introduction

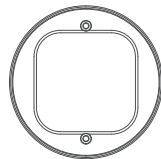
01. Mounting Screws

02. Position Adjustment Button

03. 58mm Filter Tray



58mm VND Filter
(1-5 Stops)

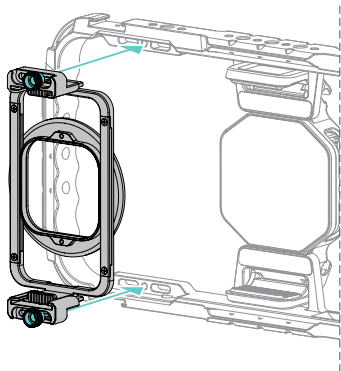


62mm Threaded Filter Tray

How to use the filter

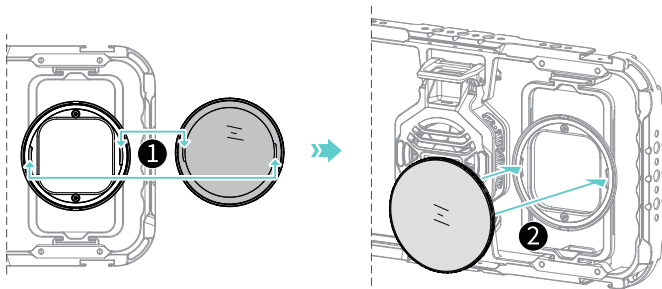
1. Installing the filter tray

Before installing the phone, align the mounting screws with the threads on the phone case, then tighten the screws.



2. Installing the 58mm VND filter

- (1) Align the mounting points on the filter with the filter tray.
- (2) The filter will attach magnetically to the tray. The assembly is complete when you hear a click.



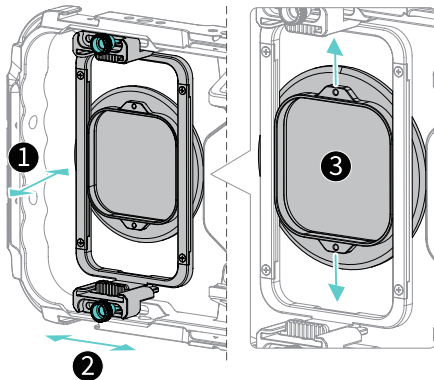
NOTE: After the assembly, rotate the filter outer frame to adjust the intensity.

3. Adjusting the position

(1) Press and hold the position adjustment button. Slide the filter tray holder front and back until the filter is aligned with the phone's lenses. (The adjustable range is 2–10 mm from the back of the phone.)

(2) Loosen the screws. Slide the filter tray holder left and right until the filter is aligned with the phone's lenses. (The adjustable range is 0–15 mm.)

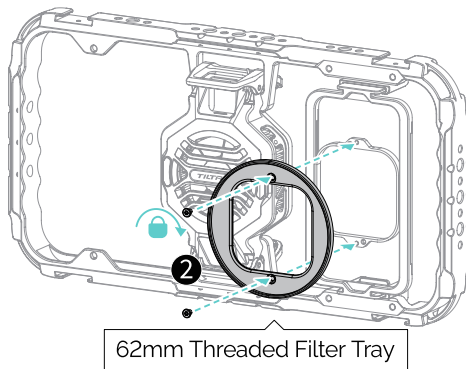
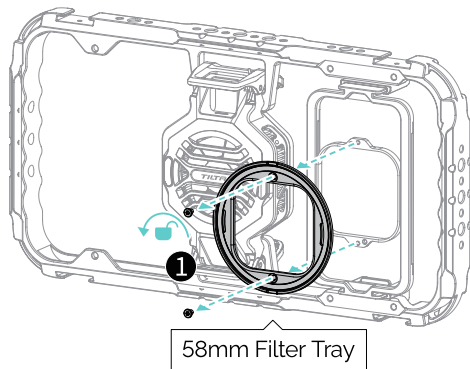
(3) Slide the filter tray holder up and down until the filter is aligned with the phone's lenses. (The adjustable range is 0–42 mm.)



4. Assembling the 62mm Threaded Filter Tray

(1) Loosen the mounting screws, and remove the 58mm filter tray.

(2) Attach the 62mm threaded filter tray to the filter tray holder, and tighten the screws to complete the assembly.



KHRONOS ADJUSTABLE NATO HANDLE

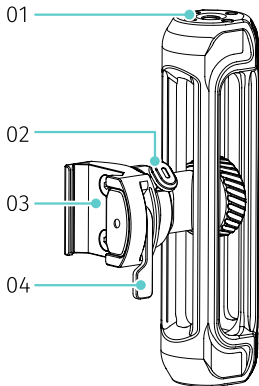
Introduction

01. 1/4"-20 Thread with
Locating Points

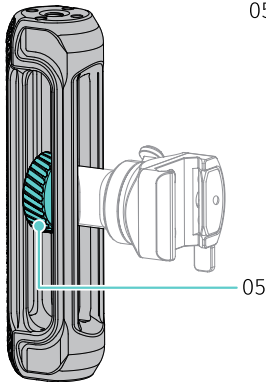
02. Rotation Button

03. NATO Receiver

04. Locking Lever



Up and
Down
Adjustment

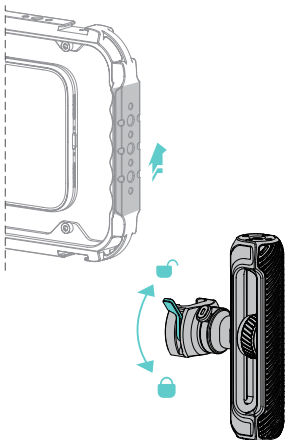


05. Tie-Down Knob

Loosen the tie-down knob,
adjust the handle up or down
to the desired position, then
tighten the tie-down knob.

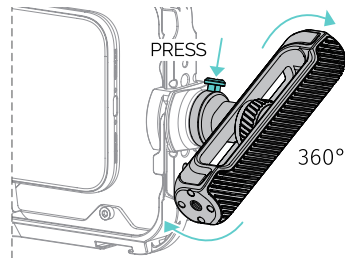
Installing the handle to the phone case

Loosen the locking lever. Slide the NATO receiver onto the NATO rail from the bottom to the top. Tighten the locking lever.



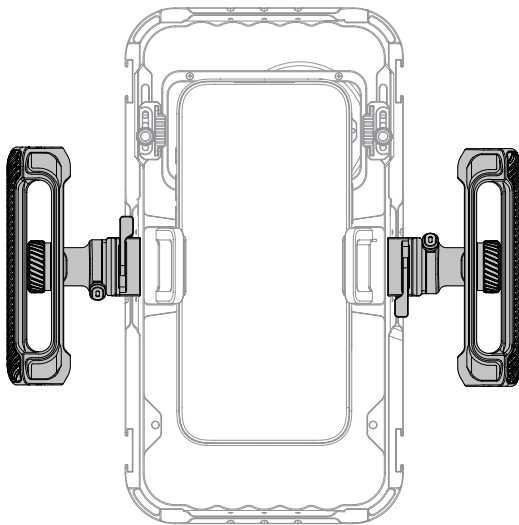
Rotating the handle

- (1) Press down the rotation button to turn the handle 360°.
- (2) Press and hold the rotation button and turn the handle. Release the button once rotation begins. The handle clicks into a position every 45°.



The adapter has relatively high resistance. Fully attach and lock the handle to the phone case before adjusting the rotation angle.

Vertical shooting setup



USB-C HUB

Introduction

01. USB-C Data Port 1

(Data transfer for smartphones/computers;
maximum output: 36W)

02. 3.5mm Audio Port

03. USB-C Data Port 2

(Transfers hard drive data.)

04. M3 Thread

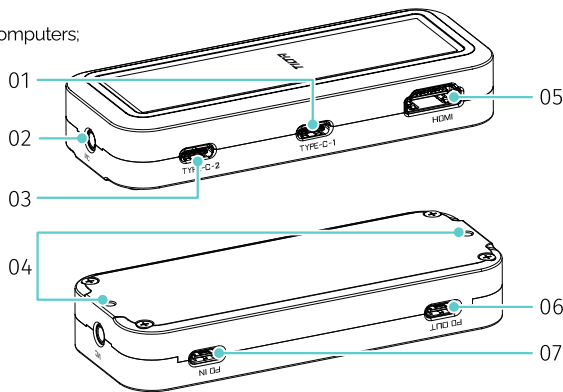
05. HDMI Output

06. USB-C Power Output

(Maximum output: 36W;
supports PD protocols.)

07. USB-C Power Input

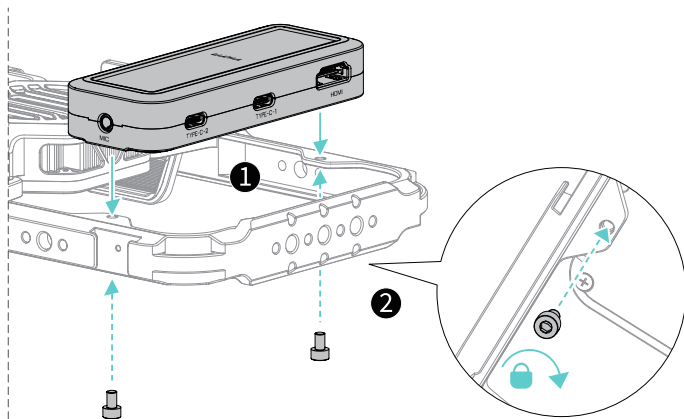
(External power input:
up to 100W; supports PD
protocols.)



The USB-C hub does not have a built-in battery and requires an external power supply.

Installing the USB-C hub to the phone case

- (1) Align the USB-C hub's M3 threads with the expansion mounting point on the phone case.
- (2) Secure the hub using the M3 screws, and tighten them firmly.

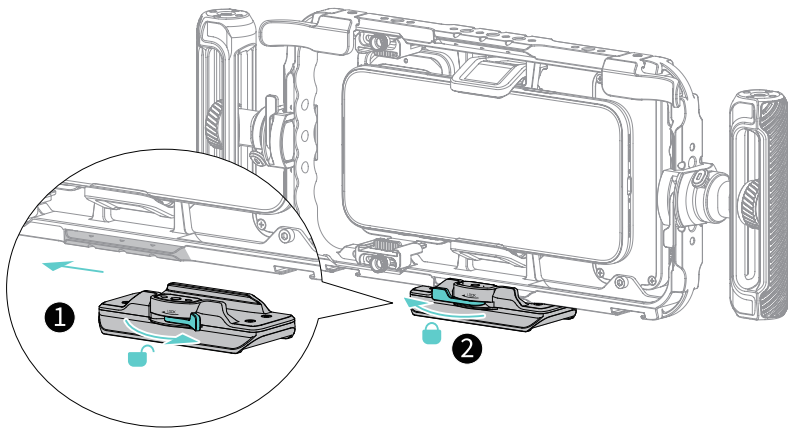


NATO TO ARCA ADAPTER

Installing the NATO to Arca adapter to the phone case

(1) Unlock the NATO to Arca adapter. Slide it onto the NATO rail on the phone case from right to left.

(2) Once in position, lock the adapter to secure it in place.



ELECTRICAL SPECIFICATIONS

NAME	SPECS	
Khronos Cooling System for Universal Smartphone Case	Input	DC 9V
	Power Consumption	Level 1: 18–27W ; Level 2 : 20–27W ; Level 3 : 27W (Typical Value)
Khronos USB–C Hub for Universal Smartphone Case	PD In	9V = 3A, 12V = 3A, 15V = 3A, 20V = 5A ; Maximum Output 100W
	PD Out	5V = 3A, 9V = 3A, 12V = 3A, 15V = 2.4A, 20V = 1.8A ; Maximum Output 36W
	USB–C 1 Out	5V = 3A, 9V = 3A, 12V = 3A, 15V = 2.4A, 20V = 1.8A ; Maximum Output 36W
	USB–C 2	5V Output, For Hard Drives; Data Transfer: 10Gbps
	HDMI Out	HDMI 2.0 ; Output: 4K60fps
	Mic In	24Bit 48KHz ; TRRS Port
Right Angle USB–C Cable for Khronos USB–C Hub	Power Performance	20V DC, 100W max (E–mark included)
	Data Transfer	10Gbps

WARRANTY

Dear Valued Customer: Thank you for choosing Tilta products. Please keep your warranty card safe for future repairs or service requests.

Product Name: _____

Product SKU: _____

Warranty Terms:

1. The warranty period for mechanical parts and electronic accessories of this product is one year (excluding damage caused by human factors).
2. Damage caused by human factors, self-disassembly, removal of seals, improper use, any external damage, or repairs and modifications conducted at unauthorized service centers are not covered under warranty.

免责声明

感谢您购买TILTA产品。

使用本产品之前,请仔细阅读本文以确保已对产品进行正确的设置。本文档及本产品所有相关的文档最终解释权归TILTA所有。如有更新,请访问www.tilta.com官方网站获取最新的产品信息。

TILTA保留随时修改本手册中任何信息的权利,无需提前通知且不承担任何责任。

一旦使用本产品,即视为您已经仔细阅读免责声明与警告,理解、认可和接受本声明全部条款和内容。您承诺对使用本产品以及可能带来的后果负全部责任。您承诺仅出于正当目的使用本产品,并且同意本条款以及TILTA制定的任何相关条例、政策和指引。

TILTA对于直接或间接使用本产品而造成的损坏、伤害以及任何法律责任不予负责。用户应遵循包括但不限于本文提及的所有安全指引。

即使存在上述规定,消费者权益依然受当地法律法规所保障,并不受本免责声明影响。

注意事项

- 请勿将尖锐物品接触设备表面,防止表面划伤、留痕。
- 减少水、化学制剂(如香水、清洁剂)等接触或喷洒到设备上,如发生接触,及时擦干。
- 请勿使设备及其配件受到强烈撞击或跌落,以免损坏设备及内部元件,导致设备故障。
- 请将设备置于干燥通风的环境中存储,理想存储湿度:≤ 40% RH (相对湿度)。
- 高温环境下注意设备温度,避免长时间高负荷运行。
- 散热器在工作时会产生轻微发热,此为正常现象。

产品参数

主要材质:铝合金+硅胶

颜色:深空灰

认识通用手机拓展框主体-散热版

(注:通用框主体散热版与标准版的区别仅在于是否配备散热器。)

部件介绍

01. 冷靴接口

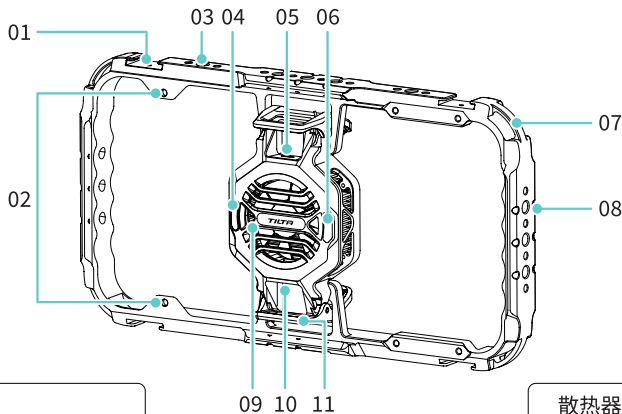
02. 拓展坞固定孔

03. 1/4"定位螺纹孔

04. 电源键

05. 状态指示灯

06. 制冷键



07. 肩带接口

08. NATO滑条

09. 通风孔

10. Type-C接口

PD输入9V

11. 背夹夹臂

散热器按键说明(一)



电源键

单击: 开机/关机

待机状态下, 指示灯显浅蓝色



散热器不含电池, 使用时需
外接电源供电。

散热器按键说明(二)



制冷键

单击: 切换制冷档位

1档(蓝)、2档(紫)、3档(红)。

散热器制冷说明

制冷档位	指示灯	制冷强度	功率	噪音强度	智能温控功能	制冷最低温度 (环温25°C)	结冰时间
1档	蓝色 	普通	18~27W	低	智能温控制冷	5°C±1°C	不结冰
2档	紫色 	适中	20~27W	智能	智能温控制冷 智能风速调节		
3档	红色 	极寒	27W	高	无	-7°C±1°C	约40S

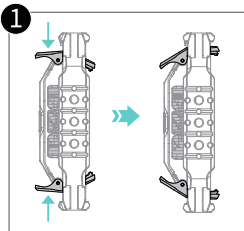
注：在25°C及以下的室内环境温度下，散热器调至第三档，运行2分钟后约40S结冰。

结冰时间与效果受多种因素影响，具体数值以实际情况为准。

安装手机到通用框主体上

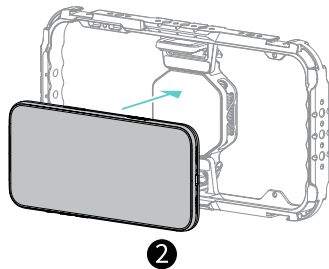
- (1) 向内挤压夹爪外臂,使手机夹两侧夹爪张开。
- (2) 安装手机到拓展框,释放夹臂复位,确保手机完全固定完成装配。

背夹夹持角度范围:70°-92°
以通用手机拓展框散热版为例。

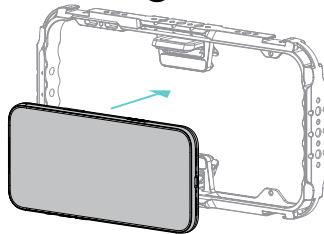


通用手机拓展框散热版

注:手机拓展框散热版具有磁吸功能,适用于支持磁吸功能的手机。



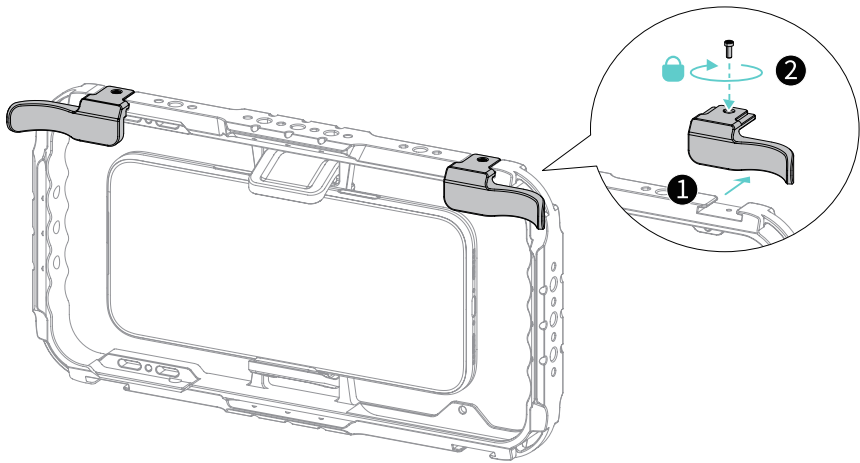
通用手机拓展框标准版



认识左右冷靴指柄

安装冷靴指柄到通用框主体上

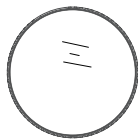
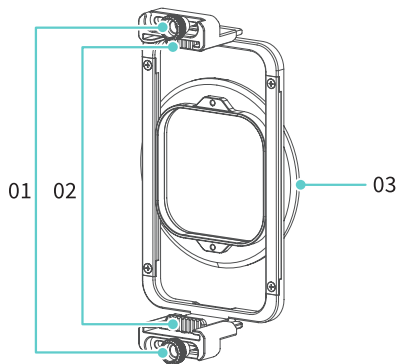
冷靴指柄对准冷靴接口滑入卡位，锁紧螺丝完成。



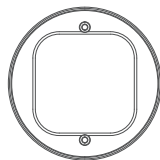
认识58mm磁吸滤镜拓展框

部件介绍

01. 防松螺丝 02. 位移调节卡扣 03. 58mm滤镜支架



58mm 1-5档VND
磁吸滤镜

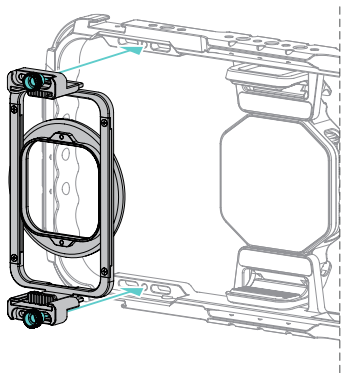


62mm螺纹接口
滤镜支架

滤镜使用说明

1. 安装滤镜拓展框

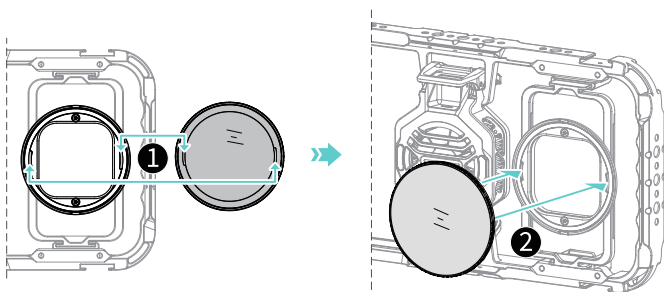
(未安装手机时) 将滤镜拓展框的防松螺丝对准通用框的防松螺孔, 拧紧螺丝完成。



2. 安装58mm 1-5档VND磁吸滤镜

(1) 滤镜卡扣对准磁吸滤镜支架的卡槽。

(2) 将滤镜直接磁吸至滤镜支架上, 听到“咔哒”声, 检查并确认安装到位。



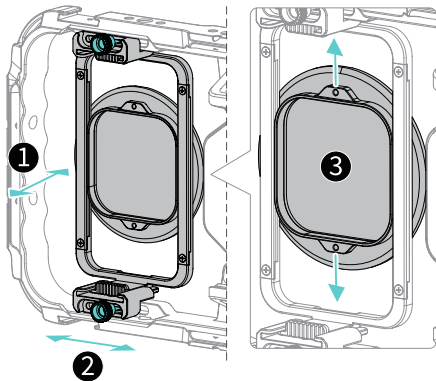
提示: 安装完毕, 左右旋转滤镜外框边缘可调节减光强度。

3. 调整位置

(1) 按住位移调节卡扣, 前后移动滤镜拓展框至滤镜完全贴合手机镜头(可调节范围为距离手机背面2-10mm)。

(2) 拧松螺丝, 左右移动滤镜拓展框至滤镜对齐手机镜头, 拧紧螺丝固定(可调节范围:0-15mm)。

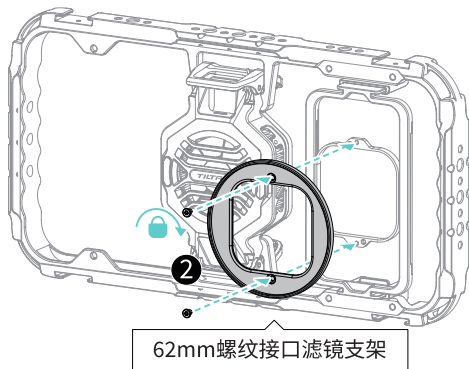
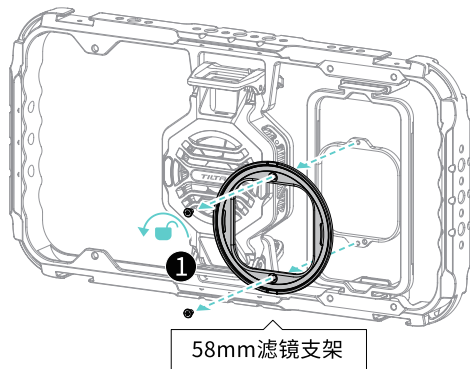
(3) 上下移动滤镜支架至滤镜中心对准手机镜头(可调节范围:0-42mm)。



4. 安装62mm螺纹接口滤镜支架

(1) 拧松螺丝, 取下58mm滤镜支架。

(2) 安装62mm螺纹接口滤镜支架到滤镜拓展框上, 锁紧螺丝完成安装。



认识NATO规格旋转快拆手柄

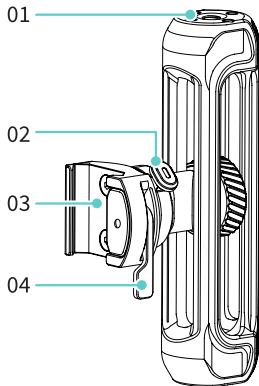
部件介绍

01. 1/4"定位螺纹孔

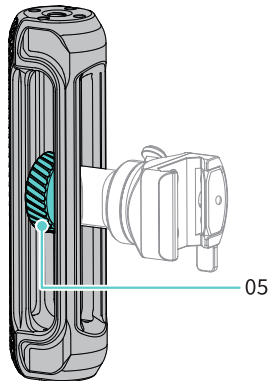
02. 旋转按钮

03. NATO母口

04. 锁紧扳手



上下调节

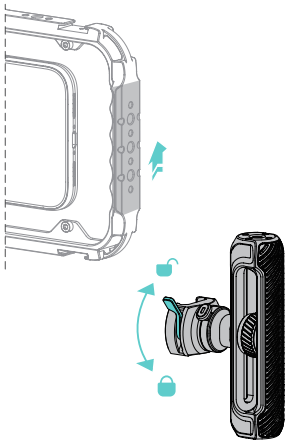


05. 固定旋钮

拧松固定旋钮,上下调节手柄至合适位置后拧紧旋钮固定。

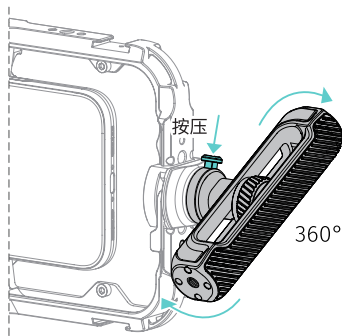
安装手柄到通用框主体上

解锁锁紧扳手, 将快拆转头部的滑槽对准滑条从下往上滑入, 锁紧扳手完成。



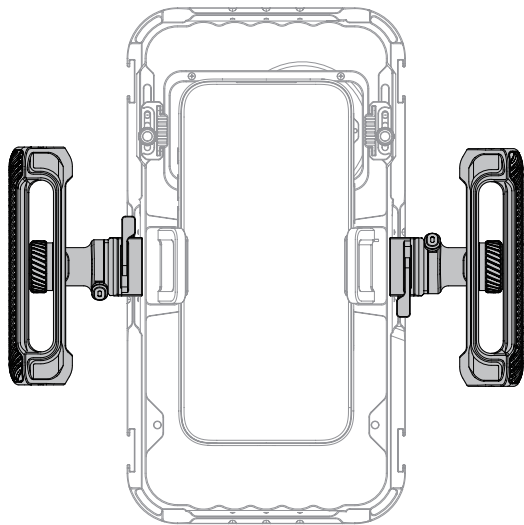
旋转手柄

- (1) 长按旋转按钮可360°平滑转动手柄。
- (2) 按压旋转按钮同时旋转手柄, 当手柄转动后, 松开旋转按钮, 手柄每旋转45°触达棘齿定位点 (明显手感卡顿)。



转接头自身阻尼较大, 请先将手柄与拓展框主体完全连接并锁紧后, 再进行旋转角度调节。

竖拍



认识拓展坞

部件介绍

01. TYPE-C1数据传输接口

(传输手机/电脑数据, 最大输出功率36W)

02. 3.5mm音频接口

03. TYPE-C2数据传输接口

(传输硬盘数据)

04. M3螺纹孔

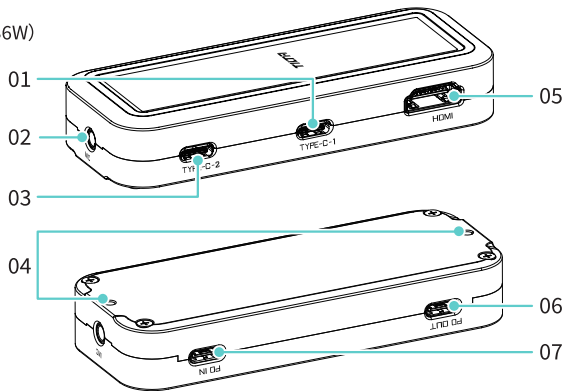
05. HDMI输出接口

06. Type-C输出电源接口

(最大输出功率36W, 支持PD协议)

07. Type-C输入电源接口

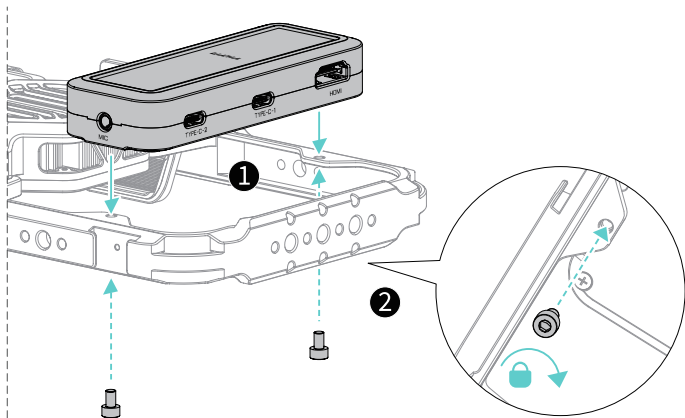
(外接电源, 最大输入功率100W, 支持PD协议)



拓展坞不含电池, 使用时需外接电源供电。

安装拓展坞到通用框主体上

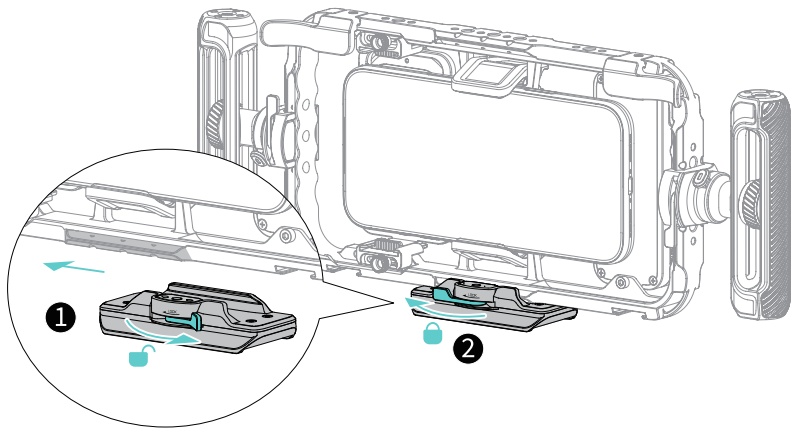
- (1) 将拓展坞的M3螺纹孔与通用框主体的固定孔对齐贴合。
- (2) 用M3螺丝穿过固定孔，拧入拓展坞背面的螺纹孔中，锁紧完成。



认识NATO转阿卡快装底板

安装NATO转阿卡快装底板到通用框主体上

- (1) 确认NATO转阿卡快装底板是解锁状态, 对准通用框底部滑条从右到左滑入。
- (2) 锁紧扳手, 完成安装。



电气性能表

名称	参数	
通用拓展框 高性能散热风扇	输入	DC9V
	功耗	1 档:18-27W; 2 档:20-27W; 3 档:27W (典型值)
通用拓展框 高性能拓展坞	PD IN	9V = 3A, 12V = 3A, 15V = 3A, 20V = 5A; 最大输入功率100W
	PD OUT	5V = 3A, 9V = 3A, 12V = 3A, 15V = 2.4A, 20V = 1.8A; 最大输出功率36W
	TYPE-C1 OUT	5V = 3A, 9V = 3A, 12V = 3A, 15V = 2.4A, 20V = 1.8A; 最大输出功率36W
	TYPE-C2	5V 输出, 用于硬盘通讯; 数据传输:10Gbps
	HDMI OUT	HDMI 2.0; 输出:4K60fps
	MIC IN	24Bit 48KHz; TRRS端口
通用拓展坞专用 数据线	通电性能	20VDC, 100Wmax (含 E-mark)
	数据传输	10Gbps

保修说明

尊敬的用户：感谢您选择TILTA的产品，请保存好您的保修卡，以便维修或需要时提供。

产品名称： _____

产品型号： _____

保修条款：

1. 本产品机械部件及电子部件保修期为一年（人为损坏除外）。
2. 一切人为损坏、自行拆机、拆封标、使用不当等一切外表的损坏及在非TILTA官方授权维修认定点进行维修、改造等造成的损坏，不在保修范围内。



扫码进入官网

Scan the QR code to enter the
Tilta website



扫码进入微信小程序

Scan the code to enter WeChat
mini programs

更多操作说明请扫描图中二维码, 输入相关产品型号, 获取产品电子版说明书。

For more operational instructions, please scan the QR code in the image and enter the relevant product model to access the electronic version of the user manual.

制 造 商：深圳市铁头科技有限公司

地 址：深圳市光明区玉塘街道田寮社区光明高新园西区七号侨德科技园厂房B栋一层、二层

服务热线：4006 1998 67

Manufacturer : Shenzhen Tilta Technology Co., Ltd.

Address (China) : 1st & 2nd Floor, Building B, Qiaode High Technology Park, No. 7 Road, Guangming New District, Shenzhen 518125, China

Address (United States): 1901 W Magnolia Blvd, Burbank, CA 91506

Address Germany): Lise-Meitner-Allee 13, Bochum, North Rhine-Westphalia 44801

Address (United kingdom) : Room 3, Unit 11, Woodland Business Park, Ystradgynlais, Swansea SA91JW

Official website : <https://tilta.com/>
<https://eu.tilta.com/>
<https://tilta.uk/>