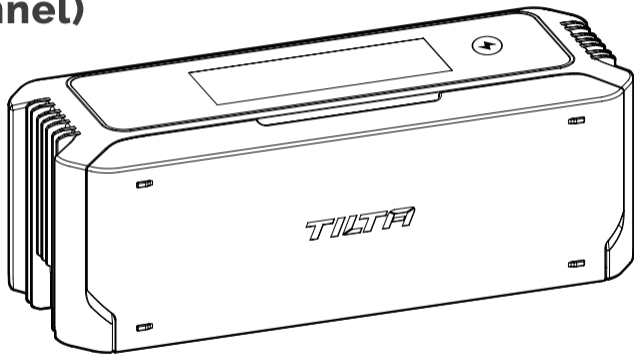


Foldable Charging Station for L-Series / NP-F (6 Channel)

-User Guide

NP-F六通道快速充电底座
-使用指南



TILTA

SKU: TBC-NPF

DISCLAIMER

Thank you for purchasing TILTA products.

Before using this product, please carefully read this document to ensure that the product has been set up correctly. The final interpretation of this document and all related documents for this product belongs to TILTA. For updates, please visit the official website at www.tilta.com for the latest product information. TILTA reserves the right to modify any information in this manual at any time without prior notice and without assuming any responsibility.

By using this product, you are deemed to have carefully read the disclaimer and warnings, understood, agreed, and accepted all the terms and content of this statement. You promise to take full responsibility for the use of this product and any consequences that may arise. You commit to using this product only for legitimate purposes and agree to these terms as well as any related regulations, policies, and guidelines set by TILTA.

TILTA is not responsible for any damages, injuries, or legal liabilities caused directly or indirectly by the use of this product. Users should follow all safety guidelines mentioned in this document, including but not limited to those mentioned. Despite the above provisions, consumer rights are still protected by local laws and regulations and are not affected by this disclaimer.

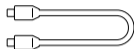
TILTA is a trademark of Shenzhen TILTA Technology Co., Ltd. and its affiliated companies. Product names, brands, and other trademarks appearing in this document are trademarks or registered trademarks of their respective companies.

BASIC INFO

■ PACKING LIST



Charging Station for L-Series/NP-F (6 Channel) ×1



100W USB-C to USB-C Cable ×1



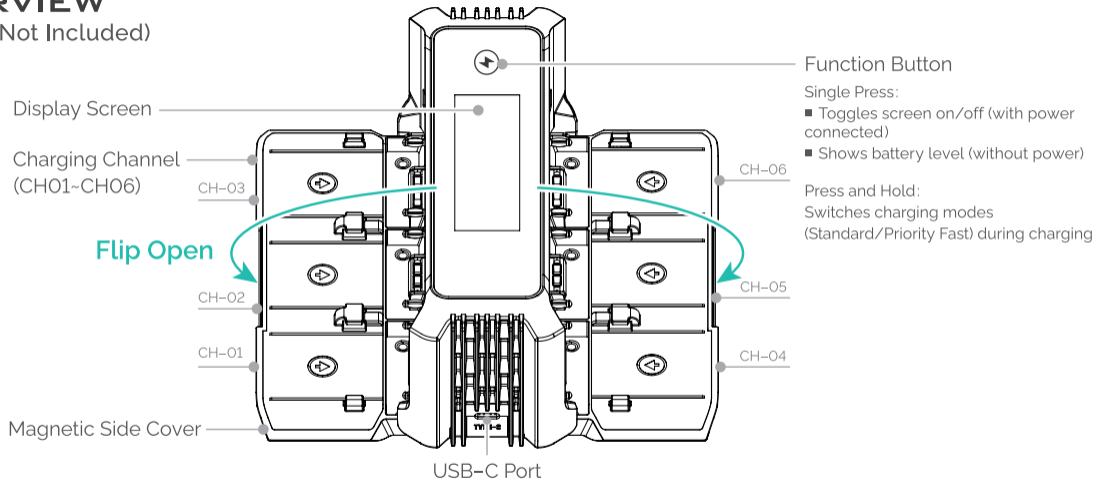
User Manual ×1

■ SPECIFICATIONS

Name: Charging Station for L-Series/NP-F (6 Channel) Sku: TBC-NPF Dimensions: 158.7x62x63mm Net Weight: 300g	USB-C Input: 9V $\overline{=}$ 3A, 12V $\overline{=}$ 3A, 15V $\overline{=}$ 3A, 20V $\overline{=}$ 5A 100W (Max) CH01-CH06 Output: Standard Charging: 8.4V $\overline{=}$ 1.8A (Max) x6 Fast Charging: 8.4V $\overline{=}$ 2.5A (Max) x3, 8.4V $\overline{=}$ 0.7A (Max) x3	Operating Temperature: 0°C ~ 40°C Storage Temperature: -10°C ~ 50°C Operating Humidity: 35% ~ 95% Storage Humidity: 45% ~ 85%
Compatibility: Charges up to six TNP-F550/F570/F750/F970 rechargeable lithium batteries.		

OVERVIEW

(Battery Not Included)



■ Errors



Please use an adapter of 9V or above.

Undervoltage (Input voltage < 9V)



Short-circuit protection

Short Circuit



Overvoltage protection

Overvoltage (Input voltage > 23V)

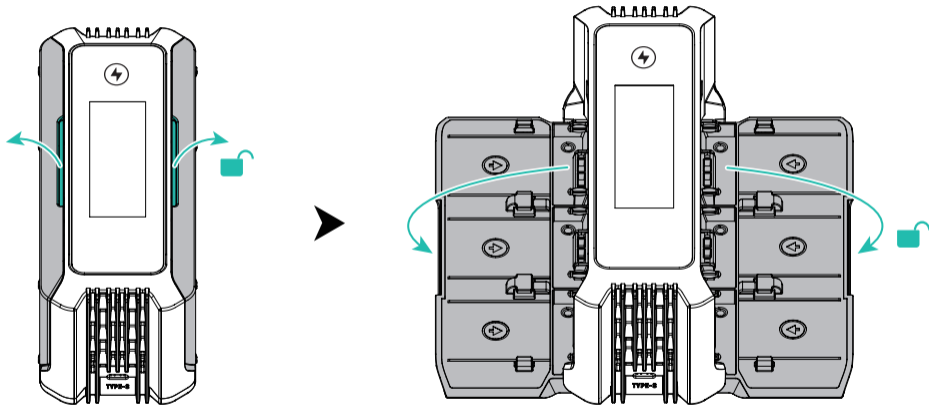


Device malfunction.

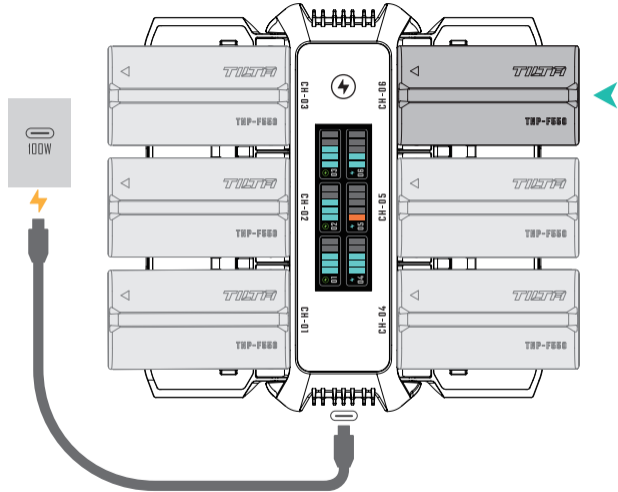
Error

USING THE CHARGING STATION

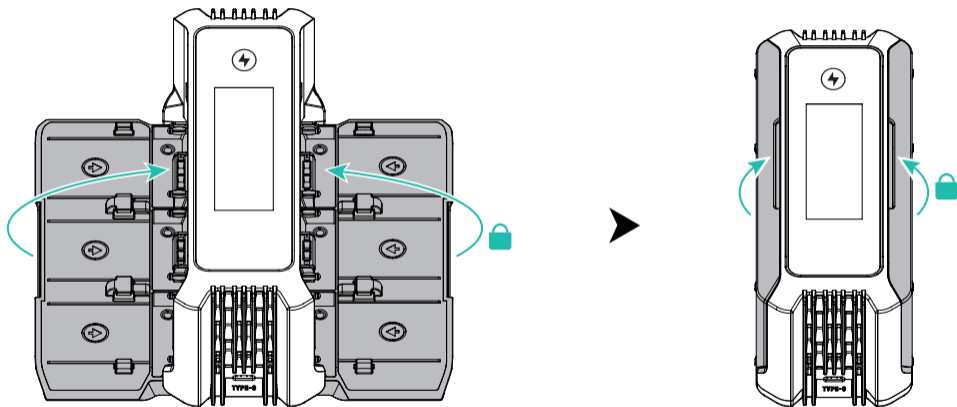
(1) Open the side covers.



- (2) Plug in battery (sold separately).
- (3) Connect the charger with the power source using the included 100W USB-C to USB-C cable.
- (4) Start charging up to 6 batteries at a time.





(5) After charging is complete, unplug the batteries and cable, then fold up the charger's side covers.



CHARGING CURRENT DISTRIBUTION

 Press and hold the [Function Button] while charging to switch modes.

Priority Fast Charging

Input			 1 Battery	 2 Batteries	3 Batteries		4 Batteries		5 Batteries		6 Batteries	
100W	20V	5A	(8.4V/2.5A) ×1	(8.4V/2.5A) ×2	 (8.4V/2.5A) ×3		 (8.4V/2.5A) ×3	(8.4V/1.8A) ×1	 (8.4V/2.5A) ×3	(8.4V/1.0A) ×2	 (8.4V/2.5A) ×3	(8.4V/0.7A) ×3
80W	20V	4A	(8.4V/2.5A) ×1	(8.4V/2.5A) ×2	 (8.4V/2.5A) ×2	(8.4V/1.8A) ×1	 (8.4V/2.5A) ×2	(8.4V/0.9A) ×2	 (8.4V/2.5A) ×2	(8.4V/0.6A) ×3	 (8.4V/2.5A) ×2	(8.4V/0.4A) ×4
65W	20V	3.25A	(8.4V/2.5A) ×1	(8.4V/2.5A) ×2	 (8.4V/2.5A) ×2	(8.4V/1.8A) ×1	 (8.4V/2.5A) ×2	(8.4V/0.4A) ×2	 (8.4V/2.5A) ×2	(8.4V/0.25A) ×3	 (8.4V/2.5A) ×2	(8.4V/0.2A) ×4

Sequentially fast-charges batteries with the highest voltage.

The number of batteries charged simultaneously is determined by the input power :

> 100W : 3 batteries

65W – 100W : 2 batteries

< 65W : Not supported

⚡ Standard Charging

Input			🔋 1 Battery	🔋 2 Batteries	3 Batteries	4 Batteries	5 Batteries	6 Batteries
100W	20V	5A	(8.4V/1.8A) ×1	(8.4V/1.8A) ×2	(8.4V/1.8A) ×3	(8.4V/1.8A) ×4	(8.4V/1.8A) ×5	(8.4V/1.8A) ×6
80W	20V	4A	(8.4V/1.8A) ×1	(8.4V/1.8A) ×2	(8.4V/1.8A) ×3	(8.4V/1.8A) ×4	(8.4V/1.5A) ×5	(8.4V/1.2A) ×6
65W	20V	3.25A	(8.4V/1.8A) ×1	(8.4V/1.8A) ×2	(8.4V/1.8A) ×3	(8.4V/1.5A) ×4	(8.4V/1.2A) ×5	(8.4V/1.0A) ×6
45W	20V	2.25A	(8.4V/1.8A) ×1	(8.4V/1.8A) ×2	(8.4V/1.5A) ×3	(8.4V/1.0A) ×4	(8.4V/0.8A) ×5	(8.4V/0.7A) ×6
35W	20V	1.75A	(8.4V/1.8A) ×1	(8.4V/1.5A) ×2	(8.4V/1.0A) ×3	(8.4V/0.7A) ×4	(8.4V/0.6A) ×5	(8.4V/0.5A) ×6
18W	12V	1.5A	(8.4V/1.8A) ×1	(8.4V/1.0A) ×2	(8.4V/0.6A) ×3	(8.4V/0.5A) ×4	(8.4V/0.4A) ×5	(8.4V/0.3A) ×6

PRECAUTIONS

- Charge only NP-F550/F570/F750/F970 rechargeable lithium batteries.
- Use a power source of 9V or higher; lower voltage will prevent charging.
- Do not insert foreign objects or pour liquids into the charging station.
- Charging incompatible batteries may damage both the batteries and the charger.
- Store the charger in a cool, dry, and well-ventilated location.
- Keep the charger away from water and excessive dust.
- Children should use this product only under adult supervision.
- Do not operate or attempt to disassemble the charger if it is damaged.

WARRANTY

Dear Valued Customer : Thank you for choosing Tilta products. Please keep your warranty card safe for future repairs or service requests.

Product SKU: _____

Product Name: _____

Warranty Terms :

- The warranty covers electronic accessories for 1 year and mechanical parts for 2 years (excluding damage caused by human error).
- Damage caused by human error, self-disassembly, removal of seals, improper use, any external damage, or repairs and modifications conducted at unauthorized service centers are not covered under warranty.

免责声明

感谢您购买TILTA的产品。

使用本产品之前,请仔细阅读本文以确保已对产品进行正确的设置。本文档及本产品所有相关的文档最终解释权归TILTA所有。如有更新,请访问WWW.TILTA.COM官方网站获取最新的产品信息。TILTA保留随时修改本手册中任何信息的权利,无需提前通知且不承担任何责任。

一旦使用本产品,即视为您已经仔细阅读免责声明与警告,理解、认可和接受本声明全部条款和内容。您承诺对使用本产品以及可能带来的后果负全部责任。您承诺仅出于正当目的使用本产品,并且同意本条款以及TILTA制定的任何相关条例、政策和指引。TILTA对于直接或间接使用本产品而造成的损坏、伤害以及任何法律责任不予负责。用户应遵循包括但不限于本文提及的所有安全指引。

即使存在上述规定,消费者权益依然受当地法律法规所保障,并不受本免责声明影响。

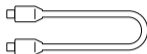
TILTA是深圳市铁头科技有限公司及其关联公司的商标。本文出现的产品名称、品牌等均为其所属公司的商标或注册商标。

产品信息

■ 物品清单



NP-F六通道快速充电底座 ×1



100W双头Type-C口充电线 ×1

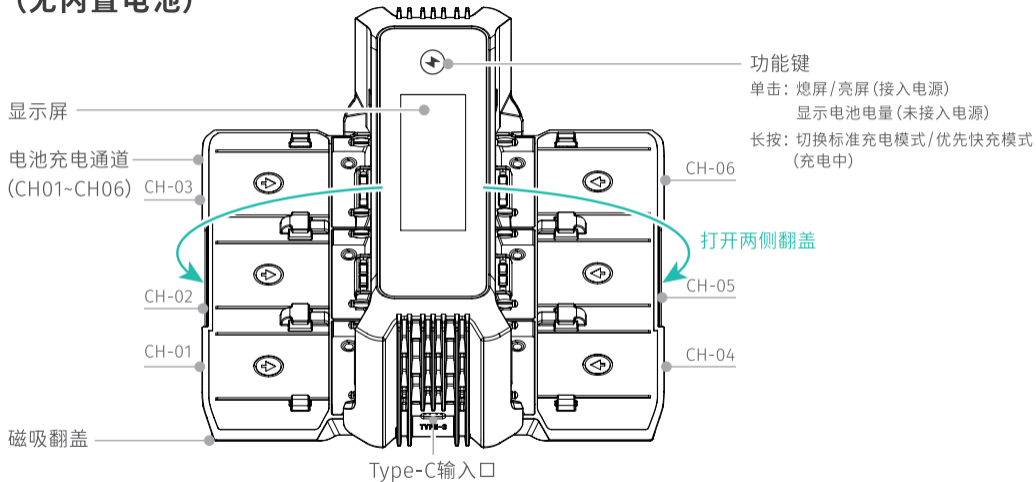


说明书 ×1

■ 规格参数

产品名称：NP-F六通道快速充电底座 型号：TBC-NPF 尺寸：158.7×62×63mm 净重：300g	Type-C输入：9V≡3A, 12V≡3A, 15V≡3A, 20V≡5A 100W (Max) CH01~CH06输出： 标准充电模式输出 8.4V≡1.8A (Max) ×6 优先快充模式输出 8.4V≡2.5A (Max) ×3, 8.4V≡0.7A (Max) ×3	工作温度：0°C~40°C 储存温度：-10°C~50°C 工作湿度：35%~95% 储存湿度：45%~85%
适配电池：TNP-F550/TNP-F570/TNP-F750/TNP-F970可充电锂电池,可同时给六个电池充电。		

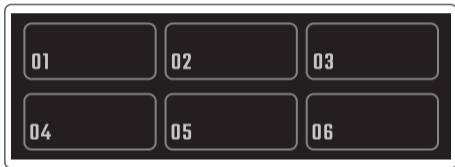
认识充电座 (无内置电池)



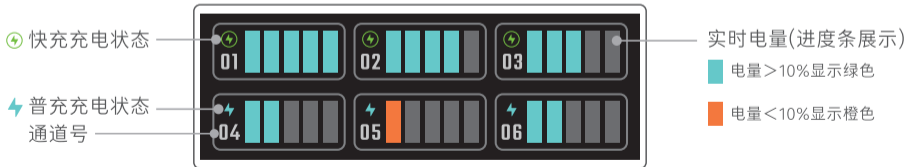
显示屏说明

注：充电座未接电源，每次放入电池时显示所有电池电量，15S后熄屏，30min后进入休眠，休眠中单击【功能键】才会显示电池电量。

■ 接通电源显示



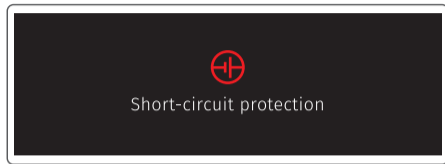
■ 充电显示



■ 报错显示



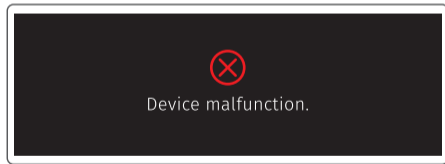
欠压提示 (输入电压 < 9V 时)



短路提示



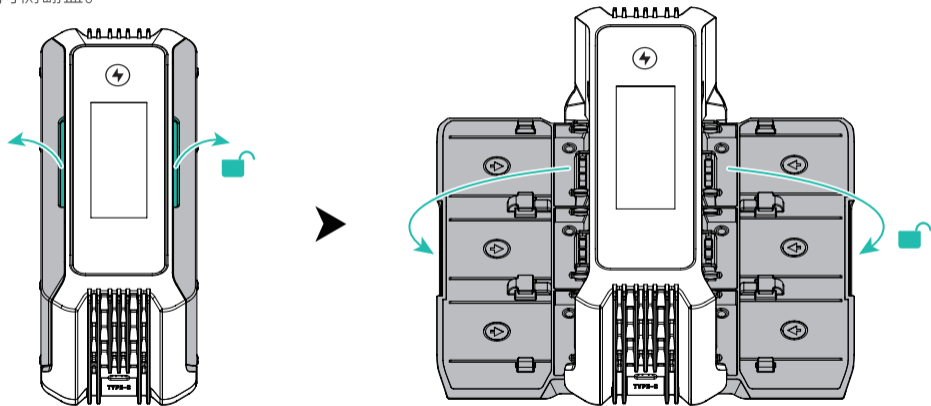
过压提示 (输入电压 > 23V 时)



故障提示

使用介绍

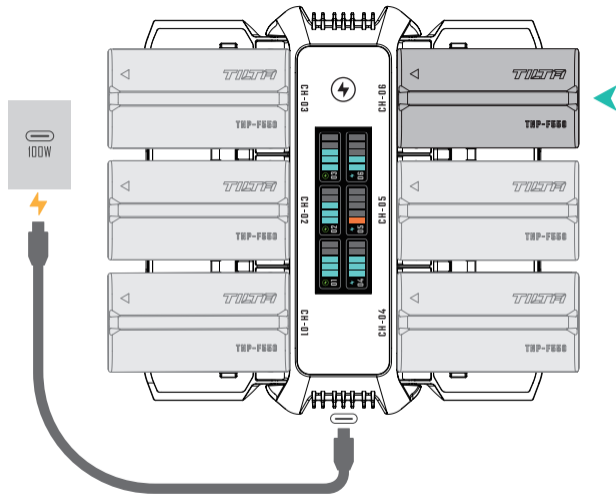
(1) 打开充电座两侧翻盖。



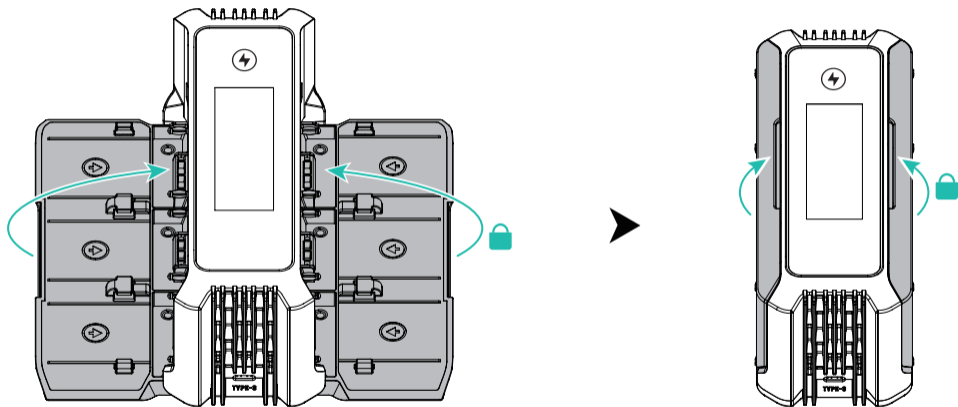
(2) 插入电池(另购)。

(3) 使用自带的100W双头Type-C口充电线连接充电座和电源。

(4) 开始充电,可同时给六个电池充电。



(5) 充电完成, 取下电池和充电线后合上翻盖即可。



充电电流分配

⌚ 长按【功能键】切换标准充电模式/优先快充模式(充电中)

⚡ 优先快充模式

电源输入			⚡ 单充	⚡ 双充	三充		四充		五充		六充	
100W	20V	5A	(8.4V/2.5A) ×1	(8.4V/2.5A) ×2	⚡(8.4V/2.5A) ×3		⚡(8.4V/2.5A) ×3	(8.4V/1.8A) ×1	⚡(8.4V/2.5A) ×3	(8.4V/1.0A) ×2	⚡(8.4V/2.5A) ×3	(8.4V/0.7A) ×3
80W	20V	4A	(8.4V/2.5A) ×1	(8.4V/2.5A) ×2	⚡(8.4V/2.5A) ×2	(8.4V/1.8A) ×1	⚡(8.4V/2.5A) ×2	(8.4V/0.9A) ×2	⚡(8.4V/2.5A) ×2	(8.4V/0.6A) ×3	⚡(8.4V/2.5A) ×2	(8.4V/0.4A) ×4
65W	20V	3.25A	(8.4V/2.5A) ×1	(8.4V/2.5A) ×2	⚡(8.4V/2.5A) ×2	(8.4V/1.8A) ×1	⚡(8.4V/2.5A) ×2	(8.4V/0.4A) ×2	⚡(8.4V/2.5A) ×2	(8.4V/0.25A) ×3	⚡(8.4V/2.5A) ×2	(8.4V/0.2A) ×4

(1) 电源输入 $\geq 100W$:

可优先快充三块电压高的电池,当其中一块充满后,取剩余电压高的电池进入快充,依次循环至所有电池充满。

(2) $65W \leq$ 电源输入 $\leq 100W$:

可优先快充两块电压高的电池,当其中一块充满后,取剩余电压高的电池进入快充,依次循环至所有电池充满。

(3) 电源输入 $< 65W$: 不支持快充模式

⚡ 标准充电模式

电源输入			单充	双充	三充	四充	五充	六充
100W	20V	5A	(8.4V/1.8A) ×1	(8.4V/1.8A) ×2	(8.4V/1.8A) ×3	(8.4V/1.8A) ×4	(8.4V/1.8A) ×5	(8.4V/1.8A) ×6
80W	20V	4A	(8.4V/1.8A) ×1	(8.4V/1.8A) ×2	(8.4V/1.8A) ×3	(8.4V/1.8A) ×4	(8.4V/1.5A) ×5	(8.4V/1.2A) ×6
65W	20V	3.25A	(8.4V/1.8A) ×1	(8.4V/1.8A) ×2	(8.4V/1.8A) ×3	(8.4V/1.5A) ×4	(8.4V/1.2A) ×5	(8.4V/1.0A) ×6
45W	20V	2.25A	(8.4V/1.8A) ×1	(8.4V/1.8A) ×2	(8.4V/1.5A) ×3	(8.4V/1.0A) ×4	(8.4V/0.8A) ×5	(8.4V/0.7A) ×6
35W	20V	1.75A	(8.4V/1.8A) ×1	(8.4V/1.5A) ×2	(8.4V/1.0A) ×3	(8.4V/0.7A) ×4	(8.4V/0.6A) ×5	(8.4V/0.5A) ×6
18W	12V	1.5A	(8.4V/1.8A) ×1	(8.4V/1.0A) ×2	(8.4V/0.6A) ×3	(8.4V/0.5A) ×4	(8.4V/0.4A) ×5	(8.4V/0.3A) ×6

注意事项

- 本产品仅适配给TNP-F550/TNP-F570/TNP-F750/TNP-F970可充电锂电池充电。
- 请使用9V及以上电源输入，电压不足会导致充电座无法充电。
- 请勿向充电座中插入其他异物或倒入液体。
- 请勿给不合适的电池充电，否则可能会损坏电池和充电座。
- 将充电座存放在阴凉、干燥、通风良好的地方。
- 保持充电座远离水和过多的灰尘。
- 儿童应在成人陪同下使用。
- 充电座如有任何损坏，请勿自行拆卸或操作。

保修说明

尊敬的用户：感谢您选择TILTA的产品，请保存好您的保修卡，以便维修或需时提供好。

产品型号： _____

产品名称： _____

保修条款：

- 本产品机械部件及电子附件保修期为一年（人为损坏除外）。
- 一切人为损坏、自行拆机、拆封标、使用不当等一切外表的损坏及在非TILTA官方授权维修认定点进行维修，改造等造成的损坏，不在保修范围内。



扫码进入微信小程序

Scan the code to enter WeChat
mini programs



扫码进入官网

Scan the QR code to enter
Tilta website

更多操作说明请扫描图中二维码, 输入相关产品型号, 获取产品电子版说明书。

For more operational instructions, please scan the QR code in the image and enter the relevant product model to access the electronic version of the user manual.

制 造 商：深圳市铁头科技有限公司

地 址：深圳市光明区玉塘街道田寮社区光明高新园西区七号侨德科技园厂房B栋一层、二层

服务热线：4006 1998 67

Manufacturer : Shenzhen Tilta Technology Co., Ltd.

Address (China) : 1st & 2nd Floor, Building B, Qiaode High Technology Park, No. 7 Road, Guangming New District, Shenzhen 518125, China

Address (United States) : 1901 W Magnolia Blvd, Burbank, CA 91506

Address (Germany) : Lise-Meitner-Allee 13, Bochum, North Rhine-Westphalia 44801

Address (United kingdom) : Room 3, Unit 11, Woodland Business Park, Ystradgynlais, Swansea SA9 1JW

Official Website : <https://tilta.com/>
<https://eu.tilta.com/>
<https://tilta.uk/>